

SERVICE & OPERATING MANUAL

Original Instructions



Certified Quality



ISO 9001 Certified
ISO 14001 Certified



Warren Rupp, Inc.

A Unit of IDEX Corporation

800 N. Main St.,

Mansfield, Ohio 44902 USA

Telephone (419) 524.8388

Fax (419) 522.7867

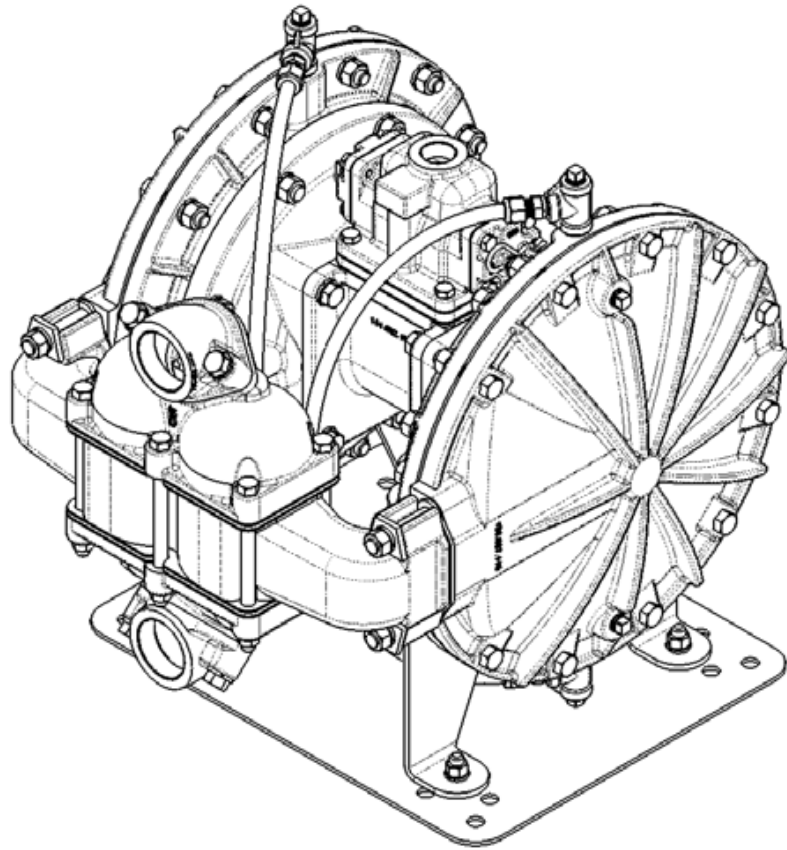
WWW.SANDPIPERPUMP.COM



©2017 Warren Rupp, Inc.

Model ST1 1/2 & ST40

Containment Duty Design Level 5



1: PUMP SPECS

2: INSTAL & OP

3: EXP VIEW

4: AIR END

5: WARRANTY

SANDPIPER®
A WARREN RUPP, INC. BRAND

WWW.SANDPIPERPUMP.COM

Safety Information

IMPORTANT



Read the safety warnings and instructions in this manual before pump installation and start-up. Failure to comply with the recommendations stated in this manual could damage the pump and void factory warranty.



When the pump is used for materials that tend to settle out or solidify, the pump should be flushed after each use to prevent damage. In freezing temperatures the pump should be completely drained between uses.

CAUTION



Before pump operation, inspect all fasteners for loosening caused by gasket creep. Retighten loose fasteners to prevent leakage. Follow recommended torques stated in this manual.



Nonmetallic pumps and plastic components are not UV stabilized. Ultraviolet radiation can damage these parts and negatively affect material properties. Do not expose to UV light for extended periods of time.



WARNING
Pump not designed, tested or certified to be powered by compressed natural gas. Powering the pump with natural gas will void the warranty.



WARNING
The use of non-OEM replacement parts will void (or negate) agency certifications, including CE, ATEX, CSA, 3A and EC1935 compliance (Food Contact Materials). Warren Rupp, Inc. cannot ensure nor warrant non-OEM parts to meet the stringent requirements of the certifying agencies.

WARNING



When used for toxic or aggressive fluids, the pump should always be flushed clean prior to disassembly.



Before maintenance or repair, shut off the compressed air line, bleed the pressure, and disconnect the air line from the pump. Be certain that approved eye protection and protective clothing are worn at all times. Failure to follow these recommendations may result in serious injury or death.



Airborne particles and loud noise hazards. Wear eye and ear protection.



In the event of diaphragm rupture, pumped material may enter the air end of the pump, and be discharged into the atmosphere. If pumping a product that is hazardous or toxic, the air exhaust must be piped to an appropriate area for safe containment.



Take action to prevent static sparking. Fire or explosion can result, especially when handling flammable liquids. The pump, piping, valves, containers and other miscellaneous equipment must be properly grounded.

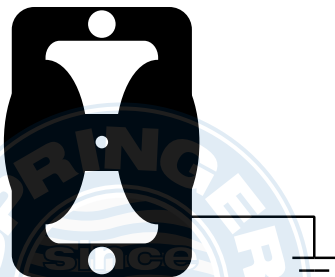


This pump is pressurized internally with air pressure during operation. Make certain that all fasteners are in good condition and are reinstalled properly during reassembly.



Use safe practices when lifting

Grounding ATEX Pumps



ATEX compliant pumps are suitable for use in explosive atmospheres when the equipment is properly grounded in accordance with local electrical codes. Pumps equipped with electrically conductive diaphragms are suitable for the transfer of conductive or non-conductive fluids of any explosion group. When operating pumps equipped with non-conductive diaphragms that exceed the maximum permissible projected area, as defined in EN 13463-1: 2009 section 6.7.5 table 9, the following protection methods must be applied:

- Equipment is always used to transfer electrically conductive fluids or
- Explosive environment is prevented from entering the internal portions of the pump, i.e. dry running

For further guidance on ATEX applications, please consult the factory.

Table of Contents

SECTION 1: PUMP SPECIFICATIONS.....1

- Explanation of Nomenclature
- Performance
- Materials
- Dimensional Drawings

SECTION 2: INSTALLATION & OPERATION.....4

- Principle of Pump Operation
- Recommended Installation Guide
- Filling the Driver Chambers with Fluid
- Troubleshooting Guide

SECTION 3: EXPLODED VIEW8

- Composite Repair Parts Drawing
- Composite Repair Parts List
- Material Codes

SECTION 4: AIR END.....11

- Air Valve with Stroke Indicator Assembly
- Pilot Valve Assembly

SECTION 5: WARRANTY & CERTIFICATES13

- Warranty
- CE Declaration of Conformity - Machinery
- ATEX Declaration of Conformity

1: PUMP SPECS

2: INSTAL & OP

3: EXP VIEW


4: AIR END

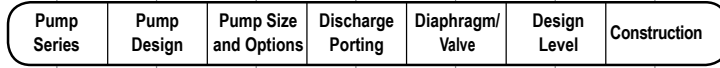
5: WARRANTY



Explanation of Pump Nomenclature

1: PUMP SPECS

Your Model #: 
 (fill in from pump nameplate)



Model #: **XX X XXXXXX, XX XXX X XX**

Pump Series

S SANDPIPER®

Pump Design

T Spill Containment

Pump Size & Options

1½" NPT

40 1½" BSP Tapered

Options

VL Visual Leak Detection Sight Tubes

Discharge Porting Position

S Side

Diaphragm Check Valve Materials

GI EPDM Driver Diaphragms, PTFE Pumping Diaphragms, and PTFE Check Balls

NG Neoprene Driver Diaphragms, PTFE Pumping Diaphragms, and PTFE Check Balls

VG FKM Driver Diaphragms, PTFE Pumping Diaphragms, and PTFE Check Balls

Design Level

4

Construction

A Aluminum Wetted, Aluminum Air

CI Cast Iron Wetted, Aluminum Air

II Cast Iron Wetted, Cast Iron Air

SI Stainless Steel Wetted, Cast Iron Air

SS Stainless Steel Wetted, Aluminum Air

ATEX Detail

All Pump Models:

(1)



II 2G c IIB T5
 II 2D c T100°C



Performance

ST1½ & ST40

SUCTION/DISCHARGE PORT SIZE

- ST1½: 1½ (37.5mm) NPT (F)
- ST40: 1½ (37.5MM) BSP (F)(Tapered)

CAPACITY

- 0 to 106 gallons per minute (0 to 400 liters per minute)

AIR DISTRIBUTION VALVE

- No-lube, no-stall design

SOLIDS-HANDLING

- Occasional solids only. Up to ¼ in. (6.3mm)

HEADS UP TO

- 125 psi or 289 ft. of water (8.8 Kg/cm² or 88 meters)

MAXIMUM OPERATING PRESSURE

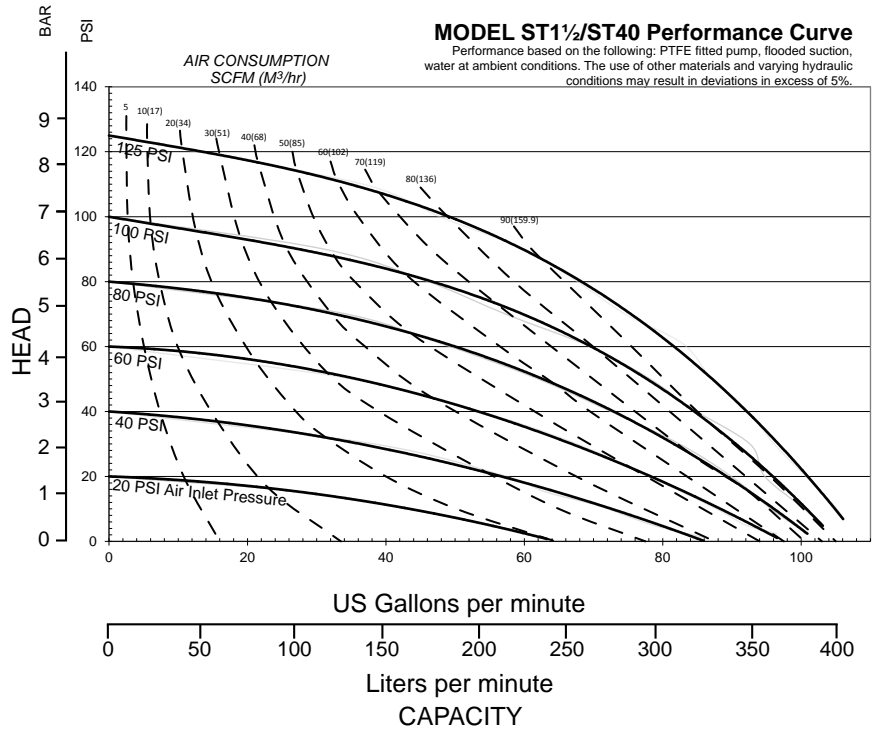
- 125 psi (8.6 bar)

DISPLACEMENT/STROKE

- .37 Gallon / 1.29 liter

SHIPPING WEIGHT

- Aluminum 99 lbs. (46kg)
- Cast Iron 146 lbs. (66kg)
- Stainless Steel 212 lbs. (95kg)



Materials

Material Profile:	Operating Temperatures:	
	Max.	Min.
CAUTION! Operating temperature limitations are as follows:		
Conductive Acetal: Tough, impact resistant, ductile. Good abrasion resistance and low friction surface. Generally inert, with good chemical resistance except for strong acids and oxidizing agents.	190°F 88°C	-20°F -29°C
EPDM: Shows very good water and chemical resistance. Has poor resistance to oils and solvents, but is fair in ketones and alcohols.	280°F 138°C	-40°F -40°C
FKM: (Fluorocarbon) Shows good resistance to a wide range of oils and solvents; especially all aliphatic, aromatic and halogenated hydrocarbons, acids, animal and vegetable oils. Hot water or hot aqueous solutions (over 70°F(21°C)) will attack FKM.	350°F 177°C	-40°F -40°C
Hytrel®: Good on acids, bases, amines and glycols at room temperatures only.	220°F 104°C	-20°F -29°C
Neoprene: All purpose. Resistance to vegetable oils. Generally not affected by moderate chemicals, fats, greases and many oils and solvents. Generally attacked by strong oxidizing acids, ketones, esters and nitro hydrocarbons and chlorinated aromatic hydrocarbons.	200°F 93°C	-10°F -23°C
Nitrile: General purpose, oil-resistant. Shows good solvent, oil, water and hydraulic fluid resistance. Should not be used with highly polar solvents like acetone and MEK, ozone, chlorinated hydrocarbons and nitro hydrocarbons.	190°F 88°C	-10°F -23°C
Nylon: 6/6 High strength and toughness over a wide temperature range. Moderate to good resistance to fuels, oils and chemicals.	180°F 82°C	32°F 0°C

Ambient temperature range: -20°C to +40°C
Process temperature range: -20°C to +80°C for models rated as category 1 equipment
 -20°C to +100°C for models rated as category 2 equipment

In addition, the ambient temperature range and the process temperature range do not exceed the operating temperature range of the applied non-metallic parts as listed in the manuals of the pumps.

Polypropylene: A thermoplastic polymer. Moderate tensile and flex strength. Resists strong acids and alkali. Attacked by chlorine, fuming nitric acid and other strong oxidizing agents.	180°F 82°C	32°F 0°C
PVDF: (Polyvinylidene Fluoride) A durable fluoroplastic with excellent chemical resistance. Excellent for UV applications. High tensile strength and impact resistance.	250°F 121°C	0°F -18°C
Santoprene®: Injection molded thermoplastic elastomer with no fabric layer. Long mechanical flex life. Excellent abrasion resistance.	275°F 135°C	-40°F -40°C
UHMW PE: A thermoplastic that is highly resistant to a broad range of chemicals. Exhibits outstanding abrasion and impact resistance, along with environmental stress-cracking resistance.	180°F 82°C	-35°F -37°C
Urethane: Shows good resistance to abrasives. Has poor resistance to most solvents and oils.	150°F 66°C	32°F 0°C
Virgin PTFE: (PFA/TFE) Chemically inert, virtually impervious. Very few chemicals are known to chemically react with PTFE; molten alkali metals, turbulent liquid or gaseous fluorine and a few fluoro-chemicals such as chlorine trifluoride or oxygen difluoride which readily liberate free fluorine at elevated temperatures.	220°F 104°C	-35°F -37°C
<i>Maximum and Minimum Temperatures are the limits for which these materials can be operated. Temperatures coupled with pressure affect the longevity of diaphragm pump components. Maximum life should not be expected at the extreme limits of the temperature ranges.</i>		
Metals:		
Alloy C: Equal to ASTM494 CW-12M-1 specification for nickel and nickel alloy.		
Stainless Steel: Equal to or exceeding ASTM specification A743 CF-8M for corrosion resistant iron chromium, iron chromium nickel and nickel based alloy castings for general applications. Commonly referred to as 316 Stainless Steel in the pump industry.		

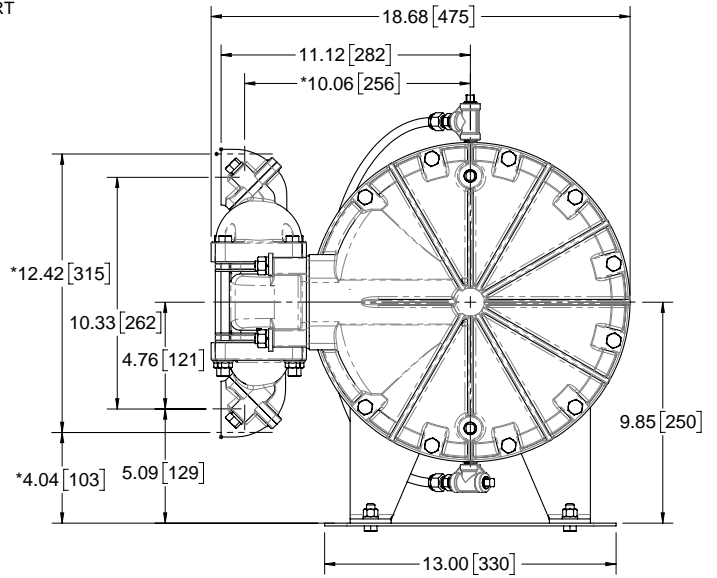
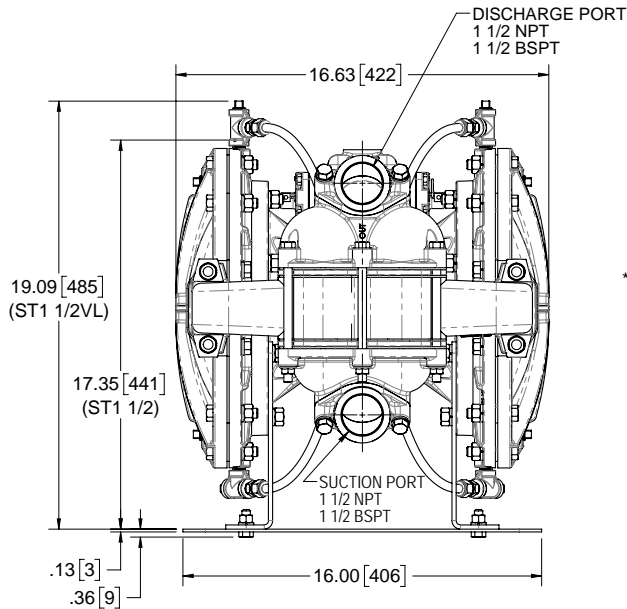
For specific applications, always consult the Chemical Resistance Chart.

Dimensional Drawings

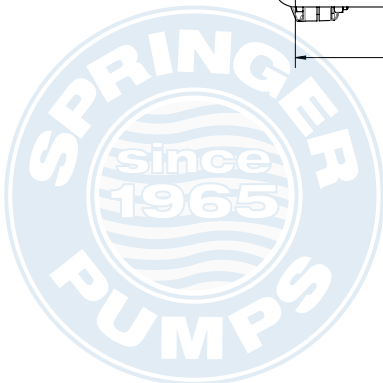
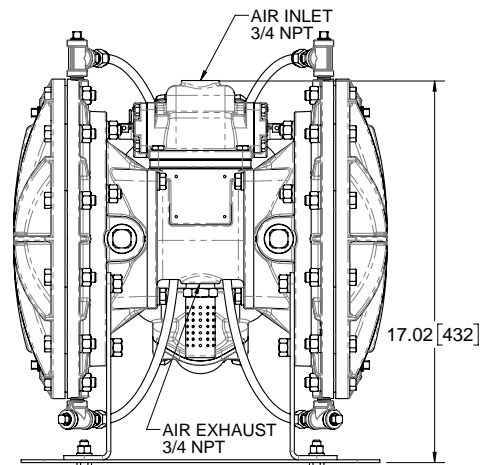
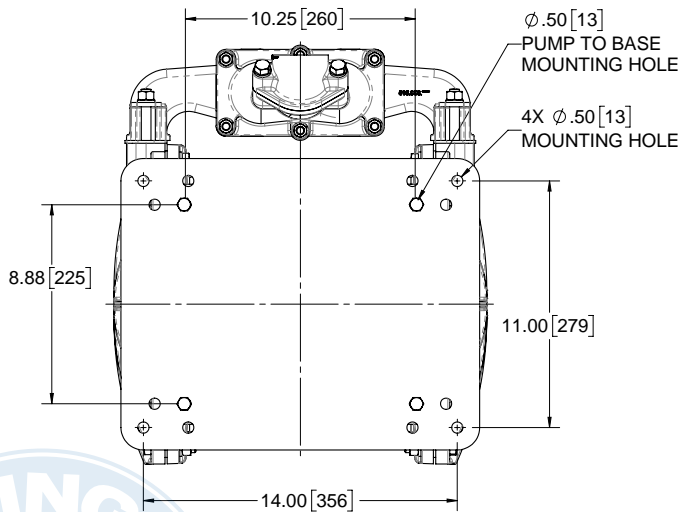
ST1½ & ST40

Dimensions are ±1/8". Figures in parentheses = millimeters.

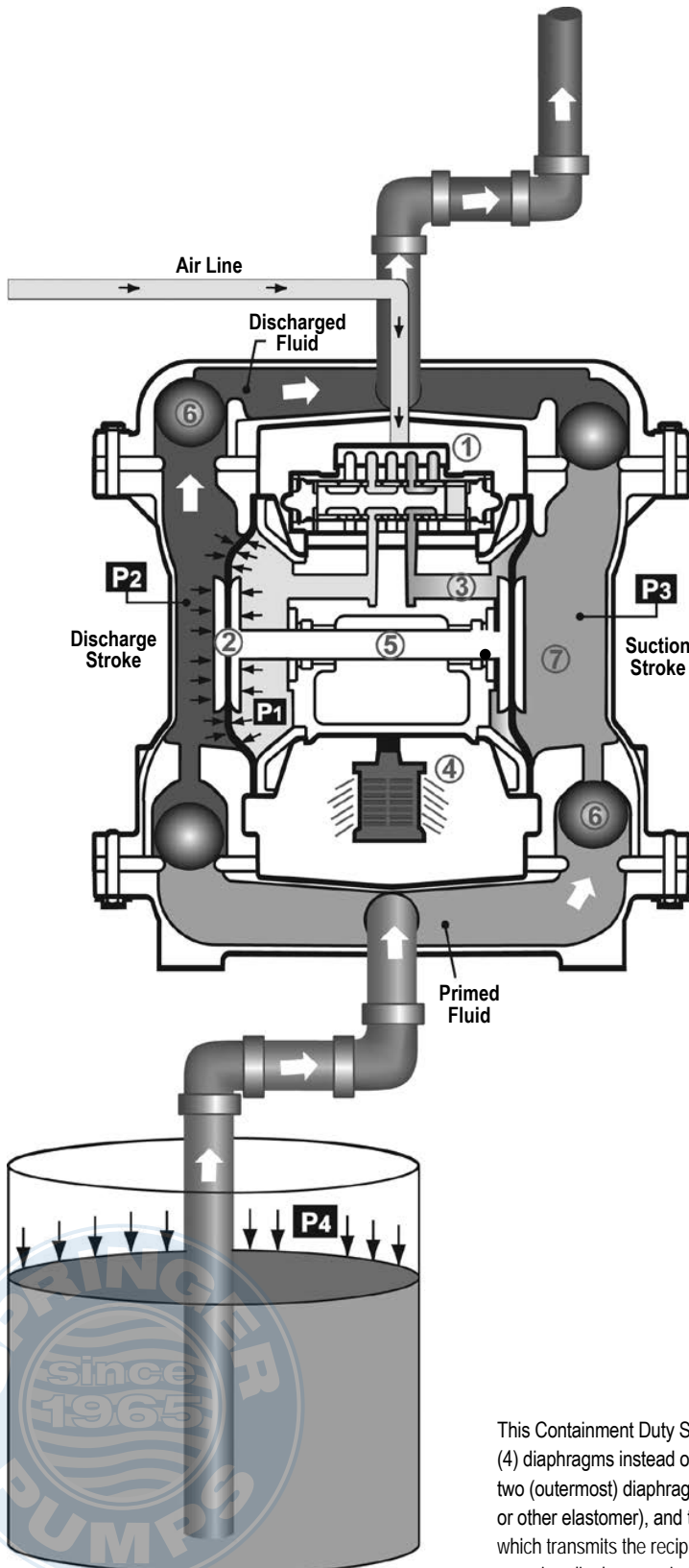
1: PUMP SPECS



* INDICATES DIMENSION WITH SUCTION AND DISCHARGE PORTS ROTATED 180° TO A VERTICAL POSITION



Principle of Pump Operation



Air-Operated Double Diaphragm (AODD) pumps are powered by compressed air or nitrogen.

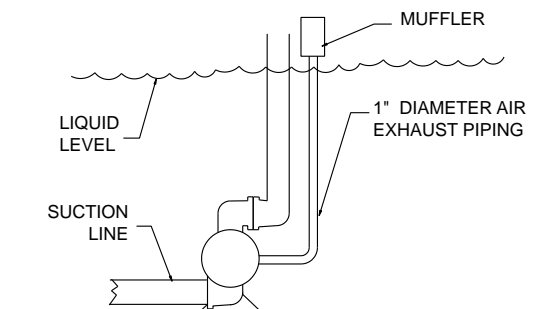
The main directional (air) control valve ① distributes compressed air to an air chamber, exerting uniform pressure over the inner surface of the diaphragm ②. At the same time, the exhausting air ③ from behind the opposite diaphragm is directed through the air valve assembly(s) to an exhaust port ④.

As inner chamber pressure (P1) exceeds liquid chamber pressure (P2), the rod ⑤ connected diaphragms shift together creating discharge on one side and suction on the opposite side. The discharged and primed liquid's directions are controlled by the check valves (ball or flap) ⑥ orientation.

The pump primes as a result of the suction stroke. The suction stroke lowers the chamber pressure (P3) increasing the chamber volume. This results in a pressure differential necessary for atmospheric pressure (P4) to push the fluid through the suction piping and across the suction side check valve and into the outer fluid chamber ⑦.

Suction (side) stroking also initiates the reciprocating (shifting, stroking or cycling) action of the pump. The suction diaphragm's movement is mechanically pulled through its stroke. The diaphragm's inner plate makes contact with an actuator plunger aligned to shift the pilot signaling valve. Once actuated, the pilot valve sends a pressure signal to the opposite end of the main directional air valve, redirecting the compressed air to the opposite inner chamber.

SUBMERGED ILLUSTRATION



Pump can be submerged if the pump materials of construction are compatible with the liquid being pumped. The air exhaust must be piped above the liquid level. When the pumped product source is at a higher level than the pump (flooded suction condition), pipe the exhaust higher than the product source to prevent siphoning spills.

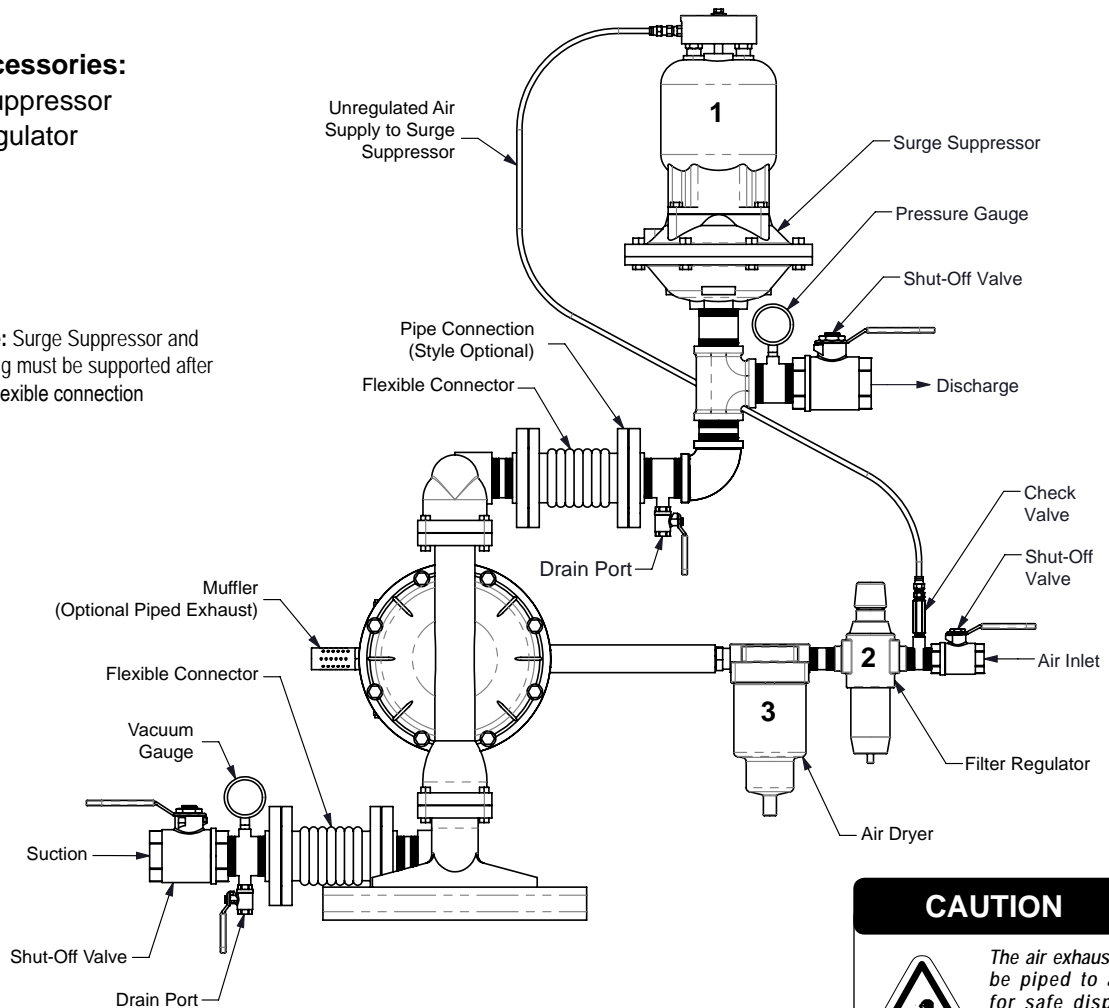
This Containment Duty SANDPIPER unit differs from other SANDPIPER units only in that it utilizes four (4) diaphragms instead of two (2). Two rod-connected diaphragms are the driver diaphragms. The other two (outermost) diaphragms are the actual pumping diaphragms. Each driver diaphragm (of neoprene or other elastomer), and the pumping diaphragm (of PTFE), are separated by a chamber filled with liquid which transmits the reciprocating motion of the driver diaphragm to the pumping diaphragm. The PTFE pumping diaphragms, in turn, create the alternating suction and discharge action in the outer diaphragm chambers, and are the only diaphragms in contact with liquid being pumped.

Recommended Installation Guide

Available Accessories:

1. Surge Suppressor
2. Filter/Regulator
3. Air Dryer

Note: Surge Suppressor and Piping must be supported after the flexible connection



CAUTION



The air exhaust should be piped to an area for safe disposition of the product being pumped, in the event of a diaphragm failure.

Installation And Start-Up

Locate the pump as close to the product being pumped as possible. Keep the suction line length and number of fittings to a minimum. Do not reduce the suction line diameter.

Air Supply

Connect the pump air inlet to an air supply with sufficient capacity and pressure to achieve desired performance. A pressure regulating valve should be installed to insure air supply pressure does not exceed recommended limits.

Air Valve Lubrication

The air distribution system is designed to operate WITHOUT lubrication. This is the standard mode of operation. If lubrication is desired, install an air line lubricator set to deliver one drop of SAE 10 non-detergent oil for every 20 SCFM (9.4 liters/sec.) of air the pump consumes. Consult the Performance Curve to determine air consumption.

Air Line Moisture

Water in the compressed air supply may cause icing or freezing of the exhaust air, causing the pump to cycle erratically or stop operating. Water in the air supply can be reduced by using a point-of-use air dryer.

Air Inlet And Priming

To start the pump, slightly open the air shut-off valve. After the pump primes, the air valve can be opened to increase air flow as desired. If opening the valve increases cycling rate, but does not increase the rate of flow, cavitation has occurred. The valve should be closed slightly to obtain the most efficient air flow to pump flow ratio.

Filling the Driver Chambers with Liquid

THE DRIVER CHAMBERS WILL BE FILLED WITH DISTILLED WATER AT THE FACTORY. IF THE INNER CHAMBER IS CAST IRON, THE UNIT IS FILLED WITH ETHYLENE GLYCOL.

If you prefer to substitute another liquid, to prevent system contamination consult the factory first to determine compatibility of the substitute with pump construction.

Follow the steps listed below to replace the liquid in the pump after disassembly or liquid loss:

Step 1. Disconnect air supply from pump before starting any work. Remove the fill and drain plugs (¼ NPT) (.0635 cm) from the driver chambers. After the chambers are completely drained of all liquid, replace the drain plugs and tighten them securely. **NOTE:** Use thread sealant on plug threads.

Step 2. Remove the two large (1 NPT) (2.54 cm) pipe plugs (one on each side) located in the rear of the innermost air chambers.

Step 3. Determine which side of the pump is on the discharge stroke and which side is on the suction stroke by checking the positions of the diaphragm assemblies. The cast inner diaphragm plate closest to the pump intermediate housing, or centerline, is the chamber in the suction stroke position. The opposite chamber, with cast inner diaphragm plate away from unit centerline, is in the discharge stroke position. **NOTE:** The diaphragm assemblies (cast inner diaphragm plates) are visible through the two tapped holes in the inner chambers from which the two large pipe plugs were removed.

Step 4. For pumps with air valve assemblies 031.098.010 or 031.098.156

Insert the safety clip (210-008-330) on one side of the main air valve body and cycle the pump at 5 to 10 psi. As you face the pump, the side with the pin should be the first driver fluid reservoir to be filled. The driver diaphragm will be on a suction stroke. Pour the correct amount of liquid into the reservoir. The fluid level will not come completely to the top. Loosely install the pipe plug, with pipe dope, PTFE tape or o-ring (depending on pump model) placed on the threads. Release all air pressure to the pump and remove the safety clip. The diaphragm will relax and will come to center. Watch the loose pipe plug closely as air escapes and the driver fluid level rises. Insert the safety clip on the opposite side and add a small amount of air pressure. When you see liquid weeping out between the loose pipe plug and fill hole, tighten the pipe plug. Repeat the procedure for the unfilled chamber.

If you have a problem getting the driver fluid to come to the top, a blunt instrument can be inserted into the chamber port of the pump and pressure can manually be applied to the pumping diaphragm to cause the liquid to come to the top. Do this carefully. A needle valve for precision stroking control is recommended at the air inlet for this procedure. Please be aware that air left in the chambers will result in faulty operation of the pump and will cause premature pumping diaphragm failure.

For pumps not equipped with Visual Leak Detection sight tubes, fill with 1200ml/ 40.6 fl. oz.

For pumps equipped with Visual Leak Detection sight tubes, fill with 1250ml/ 42.3 fl. oz.

Use pipe sealant on pipe plugs. Cast iron fluid chambers typically filled with normal antifreeze.

Step 5. After filling, the liquid will not come all the way to the top of the filling hole. Use a screwdriver or similar tool to apply leverage on the inner diaphragm plate (diaphragm assembly) forcing the driver diaphragm on the side you have just filled partially through its discharge stroke until the liquid level in the chamber you are filling comes to the top of the fill hole. This displaces any air in the chamber. **CAUTION:** Do not pry on or damage the elastomer diaphragm while performing this step of the filling instructions.

Step 6. Re-plug the fill hole and tighten securely. **NOTE:** Use thread sealant on plug threads and tighten only until snug.

Step 7. Using a screwdriver or similar tool apply leverage on the inner diaphragm plate (diaphragm assembly), on the side just filled, forcing the pump to "shift" or reverse diaphragm positions.

Step 8. Follow steps (4) thru (6) to fill the opposite driver chamber.

Step 9. Re-install the two large pipe plugs in the rear of the pump inner air chambers. **NOTE:** Use thread sealant on plug threads.

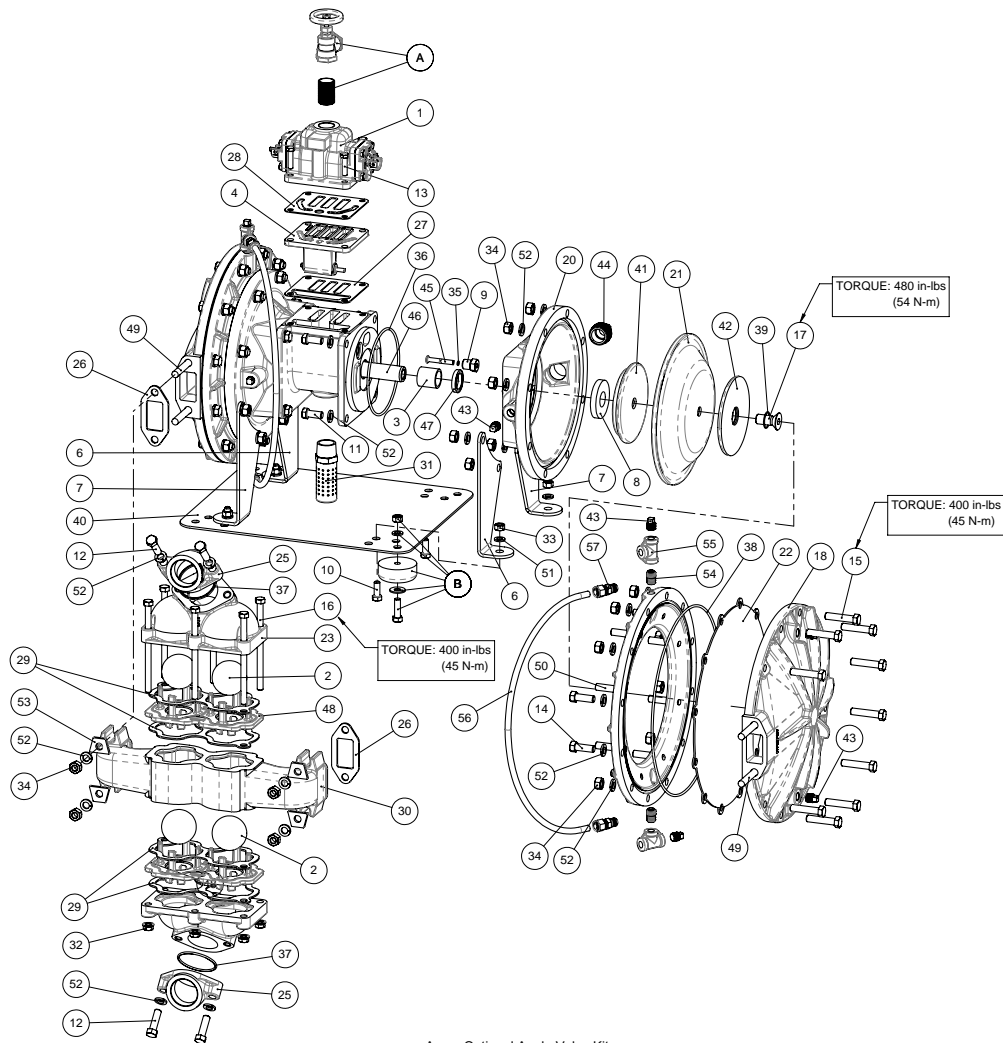
Troubleshooting Guide

2: INSTAL & OP

Symptom:	Potential Cause(s):	Recommendation(s):
Pump Cycles Once	Deadhead (system pressure meets or exceeds air supply pressure).	Increase the inlet air pressure to the pump. Pump is designed for 1:1 pressure ratio at zero flow. (Does not apply to high pressure 2:1 units).
	Air valve or intermediate gaskets installed incorrectly.	Install gaskets with holes properly aligned.
	Bent or missing actuator plunger.	Remove pilot valve and inspect actuator plungers.
Pump Will Not Operate / Cycle	Pump is over lubricated.	Set lubricator on lowest possible setting or remove. Units are designed for lube free operation.
	Lack of air (line size, PSI, CFM).	Check the air line size and length, compressor capacity (HP vs. cfm required).
	Check air distribution system.	Disassemble and inspect main air distribution valve, pilot valve and pilot valve actuators.
	Discharge line is blocked or clogged manifolds.	Check for inadvertently closed discharge line valves. Clean discharge manifolds/piping.
	Deadhead (system pressure meets or exceeds air supply pressure).	Increase the inlet air pressure to the pump. Pump is designed for 1:1 pressure ratio at zero flow. (Does not apply to high pressure 2:1 units).
	Blocked air exhaust muffler.	Remove muffler screen, clean or de-ice, and re-install.
	Pumped fluid in air exhaust muffler.	Disassemble pump chambers. Inspect for diaphragm rupture or loose diaphragm plate assembly.
	Pump chamber is blocked.	Disassemble and inspect wetted chambers. Remove or flush any obstructions.
Pump Cycles and Will Not Prime or No Flow	Cavitation on suction side.	Check suction condition (move pump closer to product).
	Check valve obstructed. Valve ball(s) not seating properly or sticking.	Disassemble the wet end of the pump and manually dislodge obstruction in the check valve pocket. Clean out around valve ball cage and valve seat area. Replace valve ball or valve seat if damaged. Use heavier valve ball material.
	Valve ball(s) missing (pushed into chamber or manifold).	Worn valve ball or valve seat. Worn fingers in valve ball cage (replace part). Check Chemical Resistance Guide for compatibility.
	Valve ball(s) / seat(s) damaged or attacked by product.	Check Chemical Resistance Guide for compatibility.
	Check valve and/or seat is worn or needs adjusting.	Inspect check valves and seats for wear and proper setting. Replace if necessary.
	Suction line is blocked.	Remove or flush obstruction. Check and clear all suction screens or strainers.
	Excessive suction lift.	For lifts exceeding 20' of liquid, filling the chambers with liquid will prime the pump in most cases.
	Suction side air leakage or air in product.	Visually inspect all suction-side gaskets and pipe connections.
	Pumped fluid in air exhaust muffler.	Disassemble pump chambers. Inspect for diaphragm rupture or loose diaphragm plate assembly.
	Pump Cycles Running Sluggish / Stalling, Flow Unsatisfactory	Over lubrication.
Icing.		Remove muffler screen, de-ice, and re-install. Install a point of use air drier.
Clogged manifolds.		Clean manifolds to allow proper air flow.
Deadhead (system pressure meets or exceeds air supply pressure).		Increase the inlet air pressure to the pump. Pump is designed for 1:1 pressure ratio at zero flow. (Does not apply to high pressure 2:1 units).
Cavitation on suction side.		Check suction (move pump closer to product).
Lack of air (line size, PSI, CFM).		Check the air line size, length, compressor capacity.
Excessive suction lift.		For lifts exceeding 20' of liquid, filling the chambers with liquid will prime the pump in most cases.
Air supply pressure or volume exceeds system hd.		Decrease inlet air (press. and vol.) to the pump. Pump is cavitating the fluid by fast cycling.
Undersized suction line.		Meet or exceed pump connections.
Restrictive or undersized air line.		Install a larger air line and connection.
Suction side air leakage or air in product.		Visually inspect all suction-side gaskets and pipe connections.
Suction line is blocked.		Remove or flush obstruction. Check and clear all suction screens or strainers.
Pumped fluid in air exhaust muffler.		Disassemble pump chambers. Inspect for diaphragm rupture or loose diaphragm plate assembly.
Check valve obstructed.		Disassemble the wet end of the pump and manually dislodge obstruction in the check valve pocket.
Check valve and/or seat is worn or needs adjusting.		Inspect check valves and seats for wear and proper setting. Replace if necessary.
Product Leaking Through Exhaust	Diaphragm failure, or diaphragm plates loose.	Replace diaphragms, check for damage and ensure diaphragm plates are tight.
	Diaphragm stretched around center hole or bolt holes.	Check for excessive inlet pressure or air pressure. Consult Chemical Resistance Chart for compatibility with products, cleaners, temperature limitations and lubrication.
Premature Diaphragm Failure	Cavitation.	Enlarge pipe diameter on suction side of pump.
	Excessive flooded suction pressure.	Move pump closer to product. Raise pump/place pump on top of tank to reduce inlet pressure. Install Back pressure device (Tech bulletin 41r). Add accumulation tank or pulsation dampener.
	Misapplication (chemical/physical incompatibility).	Consult Chemical Resistance Chart for compatibility with products, cleaners, temperature limitations and lubrication.
	Incorrect diaphragm plates or plates on backwards, installed incorrectly or worn.	Check Operating Manual to check for correct part and installation. Ensure outer plates have not been worn to a sharp edge.
Unbalanced Cycling	Excessive suction lift.	For lifts exceeding 20' of liquid, filling the chambers with liquid will prime the pump in most cases.
	Undersized suction line.	Meet or exceed pump connections.
	Pumped fluid in air exhaust muffler.	Disassemble pump chambers. Inspect for diaphragm rupture or loose diaphragm plate assembly.
	Suction side air leakage or air in product.	Visually inspect all suction-side gaskets and pipe connections.
	Check valve obstructed.	Disassemble the wet end of the pump and manually dislodge obstruction in the check valve pocket.
	Check valve and/or seat is worn or needs adjusting.	Inspect check valves and seats for wear and proper setting. Replace if necessary.
	Entrained air or vapor lock in chamber(s).	Purge chambers through tapped chamber vent plugs.

For additional troubleshooting tips contact After Sales Support at service.warrenrupp@idexcorp.com or 419-524-8388

Composite Repair Parts Drawing



- A Optional Angle Valve Kit:
These items available in kit form
only Order PN: 475.102.000.
- B Optional Rubber Foot Kit:
These items available in kit form
only Order PN: 475.101.000.

3: EXP VIEW

Service & Repair Kits

- 476.370.000 AIR END KIT**
Sleeve and Spool Set, Seals, Gaskets, O-rings, Bumpers, Plunger Actuator, Plunger Bushings, and Pilot Valve Assembly
- 476.314.000 AIR END WEAR KIT**
Seals, O-rings, Gaskets, Grease Packet Bumpers, Plunger Actuators, Plunger Bushings
- 476.371.634 WET END KIT**
EPDM Driver Diaphragms, PTFE Pumping Diaphragms, PTFE Check Balls, PTFE Gaskets, EDPM O-rings, and FEP Encapsulated Silicone O-rings
- 476.371.635 WET END KIT**
Neoprene Driver Diaphragms, PTFE Pumping Diaphragms, PTFE Check Balls, PTFE Gaskets, Nitrile O-rings, and FEP Encapsulated Silicone O-rings

- 476.371.637 WET END KIT**
FKM Driver Diaphragms, PTFE Pumping Diaphragms, PTFE Check Balls, PTFE Gaskets, FKM O-rings, and FEP Encapsulated Silicone O-rings

Conversion Kit Type 7 to Type 8

- 475.302.379** Check Valve Seat & Conductive Neoprene Seat Gaskets, and Fasteners
- 475.302.384** Check Valve Seat & Conductive Buna Seat Gaskets, and Fasteners
- 475.304.608** Check Valve Seat & Conductive PTFE Seat Gaskets, and Fasteners



WWW.SANDPIPERPUMP.COM

st15dl5sm-rev0418

Model ST1½/ST40 • 8

Tel: 866-777-6060
Fax: 866-777-6383

Springer Pumps, LLC

Website: www.springerpumps.com
Int'l: +001 267 404 2910

Composite Repair Parts List

Item	Part Number	Description	Qty.	Item	Part Number	Description	Qty.
①	031.215.010	ASSEMBLY, MAIN AIR VALVE (See Pg 11)	1	30	518.003.110	MANIFOLD	1
	031.215.156	ASSEMBLY, MAIN AIR VALVE (See Pg 11)	1		518.003.156	MANIFOLD	1
②	050.010.600	BALL, CHECK	4		518.003.010	MANIFOLD	1
3	070.006.170	BEARING	2	31	530.033.000	MUFFLER	1
④	095.073.001	PILOT VALVE ASSEMBLY	1	32	544.002.115	NUT, HEX FLANGED, 3/8-16	6
5	114.002.010	BRACKET, INTERMEDIATE	1	33	545.005.110	NUT, HEX, 5/16-18	4
	114.002.156	BRACKET, INTERMEDIATE	1	34	545.007.115	NUT, HEX - 7/16-14	40
6	115.062.080	BRACKET, MOUNTING FOOT, LEFT	2	③⑤	560.001.360	O-RING	2
7	115.063.080	BRACKET, MOUNTING FOOT, RIGHT	2	③⑥	560.022.360	O-RING	2
8	132.002.360	BUMPER, DIAPHRAGM	2	③⑦	560.028.610	O-RING	2
⑨	135.016.162	BUSHING, THREADED	2	③⑧	560.043.360	O-RING	2
10	170.006.110	CAPSCREW, HEX HD, 5/16-18 X 7/8	4		560.043.363	O-RING	2
11	170.024.115	CAPSCREW, HEX HD, 7/16-14 X 1	8		560.043.364	O-RING	2
12	170.035.115	CAPSCREW, HEX HD, 7/16-14 X 1.50	4	39	560.070.610	O-RING	2
13	170.045.115	CAPSCREW, HEX HEAD 5/16-18 X 1 1/4	4	40	612.007.150	PLATE, BASE	1
14	170.058.115	CAPSCREW, HEX HD, 7/16-14 X 1.25	4	41	612.052.157	PLATE, INNER DIAPHRAGM	2
15	170.060.115	CAPSCREW, HEX HD, 7/16-14 X 2.00	20		612.052.010	PLATE, INNER DIAPHRAGM	2
16	170.131.115	CAPSCREW, HEX HD, 3/8-16 X 6	6	42	612.096.110	PLATE, OUTER DIAPHRAGM	2
17	171.002.110	CAPSCREW, SOC HD, 5/8-11 X 1.50	2	43	618.003.110	PLUG, PIPE, 1/4	6
18	196.027.110	CHAMBER, OUTER	2		618.003.112	PLUG, PIPE, 1/4	4
	196.027.156	CHAMBER, OUTER	2	44	618.007.115	PLUG, PIPE, 1" NPT	2
	196.027.010	CHAMBER, OUTER	2	④⑤	620.011.114	PLUNGER, ACTUATOR	2
19	196.028.010	CHAMBER, SPILL CONTAINMENT	2	46	685.007.120	BUMPER, DIAPHRAGM	1
	196.028.110	CHAMBER, SPILL CONTAINMENT	2	④⑦	720.004.360	SEAL, U-CUP	2
	196.028.156	CHAMBER, SPILL CONTAINMENT	2	48	722.105.110	SEAT, CHECK VALVE - SUCTION	1
20	196.029.010	CHAMBER, INNER	2	49	807.017.115	7/16-14 X 3 STUD	4
	196.029.156	CHAMBER, INNER	2	50	807.033.115	STUD, 7/16-14 X 2.00	16
②①	286.005.354	DIAPHRAGM	2	51	900.005.110	WASHER, LOCK, 3/8	5
	286.005.363	DIAPHRAGM	2	52	900.006.115	WASHER, LOCK, 7/16	56
	286.005.364	DIAPHRAGM	2	53	905.001.306	WASHER, TAPERED	4
	286.005.365	DIAPHRAGM	2				
②②	286.017.604	DIAPHRAGM, PUMPING	2		Items Included on ST1 1/2VL only		
23	334.006.110	FLANGE, DISCHARGE	1	54	538.083.110	NIPPLE, PIPE, 1/4" NPT, CLOSE	4
	334.006.156	FLANGE, DISCHARGE	1	55	835.005.110	TEE, PIPE, 1/4 NPT	4
	334.006.010	FLANGE, DISCHARGE	1	56	860.064.606	TUBE	2
24	334.007.110	FLANGE, SUCTION	1	57	866.060.110	CONNECTOR, TUBE	4
	334.007.156	FLANGE, SUCTION	1				
	334.007.010	FLANGE, SUCTION	1				
25	334.008.110	FLANGE, PORTING	2				
	334.008.156	FLANGE, PORTING	2				
	334.008.010	FLANGE, PORTING	2				
	334.008.110 E	FLANGE, PORTING, BSP TAPERED	2				
	334.008.156 E	FLANGE, PORTING, BSP TAPERED	2				
	334.008.010 E	FLANGE, PORTING, BSP TAPERED	2				
②⑥	360.022.600	GASKET, MANIFOLD	2				
②⑦	360.041.379	GASKET	1				
②⑧	360.048.425	GASKET	1				
②⑨	360.116.608	GASKET, MANIFOLD/SEAT	4				

3: EXP VIEW



LEGEND:

○ = Items contained within Air End Kits

□ = Items contained within Wet End Kits

* Air End Kit includes sleeve and spool set, not entire air valve assembly

Note: Kits contain components specific to the material codes.

Material Codes - The Last 3 Digits of Part Number

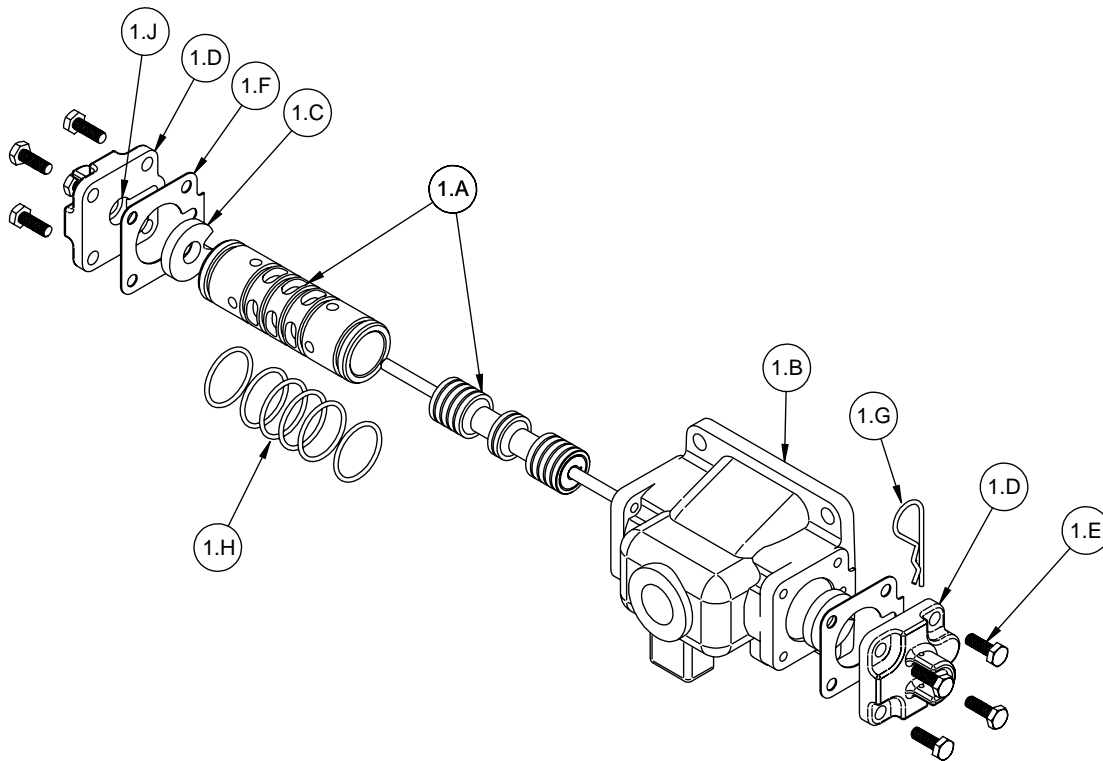
000.....Assembly, sub-assembly; and some purchased items	364.....EPDM Rubber Color coded: BLUE
010.....Cast Iron	365.....Neoprene Rubber Color coded: GREEN
015.....Ductile Iron	366.....Food Grade Nitrile
020.....Ferritic Malleable Iron	368.....Food Grade EPDM
080.....Carbon Steel, AISI B-1112	371.....Phlithane (Tuftane)
110.....Alloy Type 316 Stainless Steel	374.....Carboxylated Nitrile
111.....Alloy Type 316 Stainless Steel (Electro Polished)	375.....Fluorinated Nitrile
112.....Alloy C	378.....High Density Polypropylene
113.....Alloy Type 316 Stainless Steel (Hand Polished)	379.....Conductive Nitrile
114.....303 Stainless Steel	408.....Cork and Neoprene
115.....302/304 Stainless Steel	425.....Compressed Fibre
117.....440-C Stainless Steel (Martensitic)	426.....Blue Gard
120.....416 Stainless Steel (Wrought Martensitic)	440.....Vegetable Fibre
148.....Hardcoat Anodized Aluminum	500.....Delrin® 500
150.....6061-T6 Aluminum	502.....Conductive Acetal, ESD-800
152.....2024-T4 Aluminum (2023-T351)	503.....Conductive Acetal, Glass-Filled
155.....356-T6 Aluminum	506.....Delrin® 150
156.....356-T6 Aluminum	520.....Injection Molded PVDF Natural color
157.....Die Cast Aluminum Alloy #380	540.....Nylon
158.....Aluminum Alloy SR-319	542.....Nylon
162.....Brass, Yellow, Screw Machine Stock	544.....Nylon Injection Molded
165.....Cast Bronze, 85-5-5-5	550.....Polyethylene
166.....Bronze, SAE 660	551.....Glass Filled Polypropylene
170.....Bronze, Bearing Type, Oil Impregnated	552.....Unfilled Polypropylene
180.....Copper Alloy	555.....Polyvinyl Chloride
305.....Carbon Steel, Black Epoxy Coated	556.....Black Vinyl
306.....Carbon Steel, Black PTFE Coated	558.....Conductive HDPE
307.....Aluminum, Black Epoxy Coated	570.....Rulon II®
308.....Stainless Steel, Black PTFE Coated	580.....Ryton®
309.....Aluminum, Black PTFE Coated	600.....PTFE (virgin material) Tetrafluorocarbon (TFE)
313.....Aluminum, White Epoxy Coated	603.....Blue Gylon®
330.....Zinc Plated Steel	604.....PTFE
332.....Aluminum, Electroless Nickel Plated	606.....PTFE
333.....Carbon Steel, Electroless Nickel Plated	607.....Envelon
335.....Galvanized Steel	608.....Conductive PTFE
337.....Silver Plated Steel	610.....PTFE Encapsulated Silicon
351.....Food Grade Santoprene®	611.....PTFE Encapsulated FKM
353.....Geolast; Color: Black	632.....Neoprene/Hytrel®
354.....Injection Molded #203-40 Santoprene® Duro 40D +/-5; Color: RED	633.....FKM/PTFE
356.....Hytrel®	634.....EPDM/PTFE
357.....Injection Molded Polyurethane	635.....Neoprene/PTFE
358.....Urethane Rubber (Some Applications) (Compression Mold)	637.....PTFE, FKM/PTFE
359.....Urethane Rubber	638.....PTFE, Hytrel®/PTFE
360.....Nitrile Rubber Color coded: RED	639.....Nitrile/TFE
363.....FKM (Fluorocarbon) Color coded: YELLOW	643.....Santoprene®/EPDM
	644.....Santoprene®/PTFE
	656.....Santoprene® Diaphragm and Check Balls/EPDM Seats
	661.....EPDM/Santoprene®
	666.....FDA Nitrile Diaphragm, PTFE Overlay, Balls, and Seals
	668.....PTFE, FDA Santoprene®/PTFE

- Delrin and Hytrel are registered tradenames of E.I. DuPont.
- Nylatron is a registered tradename of Polymer Corp.
- Gylon is a registered tradename of Garlock, Inc.
- Santoprene is a registered tradename of Exxon Mobil Corp.
- Rulon II is a registered tradename of Dixon Industries Corp.
- Ryton is a registered tradename of Phillips Chemical Co.
- Valox is a registered tradename of General Electric Co.

RECYCLING

Many components of SANDPIPER® AODD pumps are made of recyclable materials. We encourage pump users to recycle worn out parts and pumps whenever possible, after any hazardous pumped fluids are thoroughly flushed.

Air Valve with Stroke Indicator Assembly



4: AIR END

Air Distribution Valve Servicing

See repair parts drawing, remove screws.

Step 1: Remove end cap (1-D).

Step 2: Remove bumper (1-C).

Step 3: Remove spool part of (1-A) (caution, do not scratch).

Step 4: Press sleeve (1-A) from body (1-B).

Step 5: Inspect O-Ring (1-H) and replace if necessary.

Step 6: Lightly lubricate O-Rings (1-H) on spool (1-A).

Step 7: Press sleeve (1-A) into body (1-B).

Step 8: Reassemble in reverse order.

Note: Sleeve and spool (1-A) set is match ground to a specified clearance.

Individual parts cannot be interchanged.

MAIN AIR VALVE ASSEMBLY PARTS LIST

Item	Part Number	Description	Qty
1	031.215.156	Air Valve Assembly	1
Ⓐ	031.214.000	Sleeve and Spool Set	1
1.B	095.043.156	Air Valve Body	1
Ⓒ	132.014.358	Bumper	2
1.D	165.066.010	End Cap	2
1.E	170.032.330	Hex Head Capscrew 1/4-20 UNC 2B x .75 long	8
Ⓕ	360.010.425	Gasket	2
1.G	210.008.330	Safety Clip	1
Ⓖ	560.020.360	O-ring	6
Ⓙ	560.023.360	O-ring (included with item 1.D)	2

For Pumps with Cast Iron Center Sections:

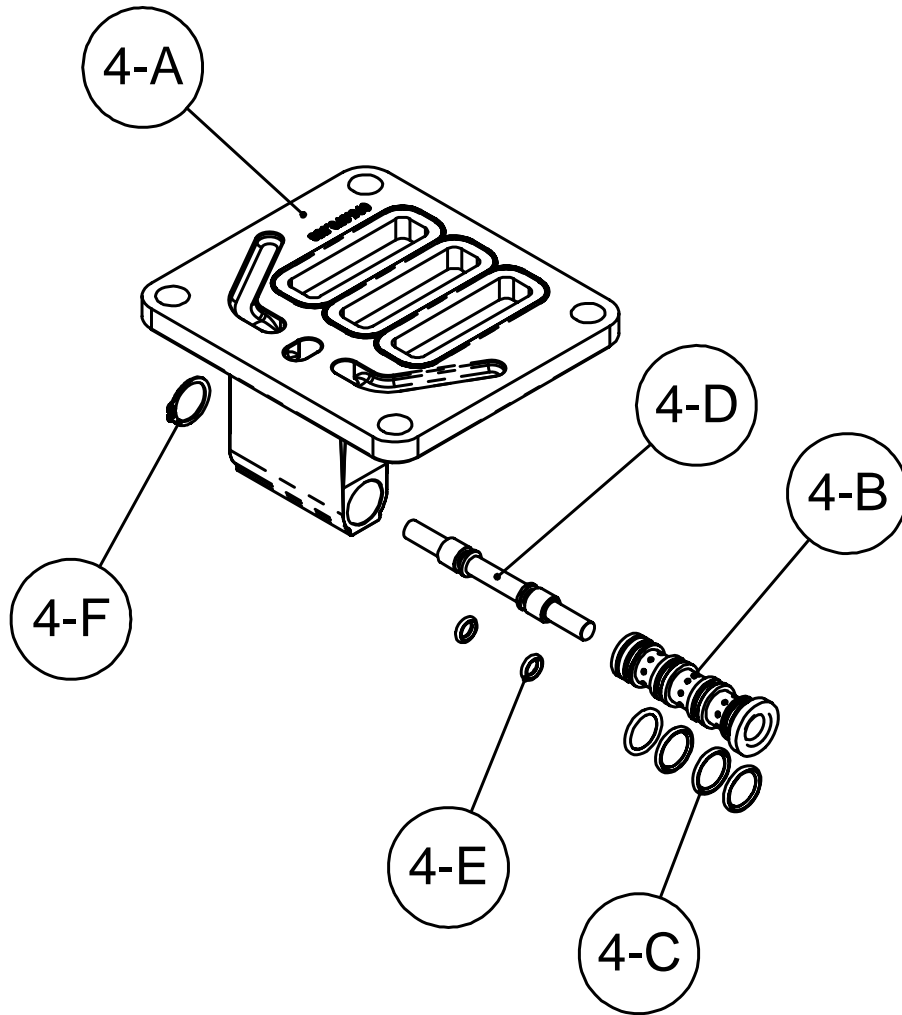
1	031.215.010	Air Valve Assembly	1
Ⓐ	031.214.000	Sleeve and Spool Set	1
1.B	095.043.010	Air Valve Body	1
Ⓒ	132.014.358	Bumper	2
1.D	165.066.010	End Cap	2
1.E	170.032.330	Hex Head Capscrew 1/4-20 UNC 2B x .75 long	8
Ⓕ	360.010.425	Gasket	2
1.G	210.008.330	Safety Clip	1
Ⓖ	560.020.360	O-ring	6
Ⓙ	560.023.360	O-ring (included with item 1.D)	2

LEGEND:

⓪ = Items contained within Air End Kits

Note: Kits contain components specific to the material codes.

Pilot Valve Assembly



4: AIR END

Pilot Valve Servicing

With Pilot Valve removed from pump.

Step 1: Remove snap ring (4-F).

Step 2: Remove sleeve (4-B), inspect O-Rings (4-C), replace if required.

Step 3: Remove spool (4-D) from sleeve (4-B), inspect O-Rings (4-E), replace if required.

Step 4: Lightly lubricate O-Rings (4-C) and (4-E).

Reassemble in reverse order.

PILOT VALVE ASSEMBLY PARTS LIST

Item	Part Number	Description	Qty
4	095.073.001	Pilot Valve Assembly	1
4-A	095.070.558	Valve Body	1
4-B	755.025.000	Sleeve (With O-Rings)	1
Ⓞ-C	560.033.360	O-Ring (Sleeve)	4
4-D	775.026.000	Spool (With O-Rings)	1
Ⓞ-E	560.023.360	O-Ring (Spool)	2
4-F	675.037.080	Retaining Ring	1

LEGEND:

Ⓞ = Items contained within Air End Kits

Note: Kits contain components specific to the material codes.



5 - YEAR Limited Product Warranty

Warren Rupp, Inc. ("Warren Rupp") warrants to the original end-use purchaser that no product sold by Warren Rupp that bears a Warren Rupp brand shall fail under normal use and service due to a defect in material or workmanship within five years from the date of shipment from Warren Rupp's factory. Warren Rupp brands include Warren Rupp®, SANDPIPER®, SANDPIPER Signature Series™, MARATHON®, Porta-Pump®, SludgeMaster™ and Tranquilizer®.

The use of non-OEM replacement parts will void (or negate) agency certifications, including CE, ATEX, CSA, 3A and EC1935 compliance (Food Contact Materials). Warren Rupp, Inc. cannot ensure nor warrant non-OEM parts to meet the stringent requirements of the certifying agencies.

~ See sandpiperpump.com/content/warranty-certifications for complete warranty, including terms and conditions, limitations and exclusions. ~

**WARREN
RUPP, INC.**

Declaration of Conformity

**Manufacturer: Warren Rupp, Inc., 800 N. Main Street
Mansfield, Ohio, 44902 USA**

Certifies that Air-Operated Double Diaphragm Pump Series: HDB, HDF, M Non-Metallic, S Non-Metallic, M Metallic, S Metallic, T Series, G Series, U Series, EH and SH High Pressure, RS Series, W Series, SMA and SPA Submersibles, and Tranquilizer® Surge Suppressors comply with the European Community Directive 2006/42/EC on Machinery, according to Annex VIII. This product has used Harmonized Standard EN809:1998+A1:2009, Pumps and Pump Units for Liquids - Common Safety Requirements, to verify conformance.


Signature of authorized person

October 20, 2005

Date of issue

Director of Engineering
Title

Authorised Representative:
IDEX Pump Technologies
R79 Shannon Industrial Estate
Shannon, Co. Clare, Ireland

February 27, 2017

Date of revision

Attn: Barry McMahon

Revision Level: F



5: WARRANTY



WARREN RUPP, INC.

EC / EU Declaration of Conformity

The objective of the declaration described is in conformity with the relevant Union harmonisation legislation: Directive 94/9/EC (until April 19, 2016) and Directive 2014/34/EU (from April 20, 2016).

Manufacturer:

Warren Rupp, Inc.
A Unit of IDEX Corporation
800 North Main Street
P.O. Box 1568
Mansfield, OH 44902 USA

Applicable Standard:

EN13463-1: 2001
EN13463-5: 2003
EN60079-25: 2004

Harmonised Standard:

EN13463-1: 2009
EN13463-5: 2011
EN60079-25:2010

The harmonised standards have been compared to the applicable standards used for certification purposes and no changes in the state of the art technical knowledge apply to the listed equipment.

AODD Pumps and Surge Suppressors

Technical File No.: 203104000-1410/MER

AODD (Air-Operated Double Diaphragm) Pumps

EC Type Examination Certificate No. Pumps: KEMA 09ATEX0071 X

DEKRA Certification B.V. (0344)

Meander 1051
6825 MJ Arnhem
The Netherlands

Hazardous Locations Applied:

I M1 c	II 1 G c T5
II 2 G Ex ia c IIC T5	II 1 D c T100°C
II 2 D Ex c iaD 20 IP67 T100°C	II 2 G c T5
II 2 G Eex m c II T5	II 2 D c T100°C
II 2 D c IP65 T100°C	II 2 G c IIB T5

SANDPIPER®

A WARREN RUPP, INC. BRAND

Tranquilizer®

DATE/APPROVAL/TITLE:

18 March 2016

David Roseberry
David Roseberry, Director of Engineering