

HP10 HIGH PRESSURE PUMP TECHNICAL DATA SHEET



SERIES

HIGH PRESSURE PUMPS

Deliver discharge pressure nearly twice the inlet pressure, up to 232 PSI (16.0 BAR)

PERFORMANCE

SUCTION / DISCHARGE PORT SIZE

- 1" NPT (Internal)
- 1" BSP Tapered (internal)

CAPACITY

- 0 to 33 gallons per minute (0 to 125 LPM)

AIR DISTRIBUTION VALVE

- No-lube, no-stall design

SOLIDS-HANDLING

- Up to .12 in. (3mm)

HEADS UP TO

- 232 PSI (535 ft)
- 16.0 BAR (163 meters)

MAXIMUM OPERATING PRESSURE

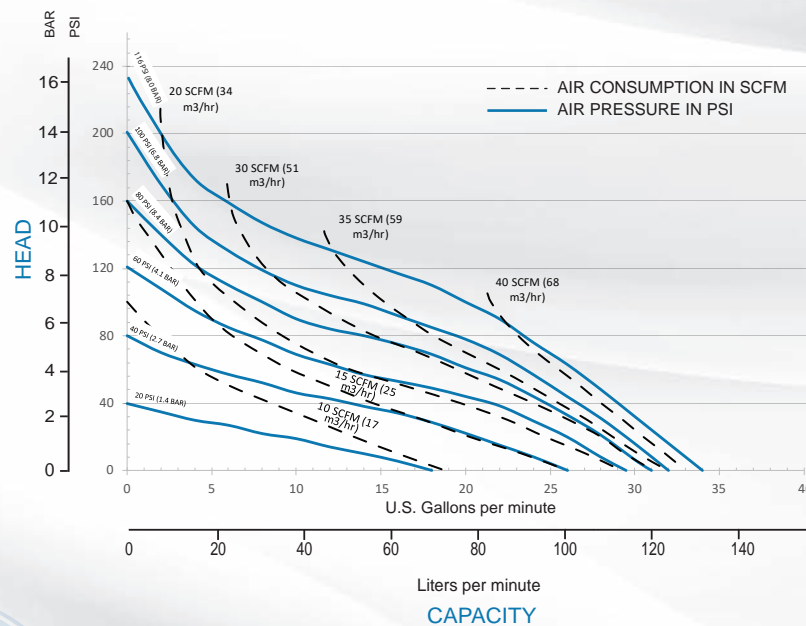
- 116 PSI (8.0 BAR)

DISPLACEMENT/STROKE

- .13 Gallon / .48 liter

WEIGHTS

- Aluminum 52.2 lbs. (25.5kg)
- Stainless Steel 76.1 lbs. (34.5kg)



5 YEAR LIMITED PRODUCT WARRANTY

5 Year Guarantee for defects in material or workmanship. See sandpiperpump.com/content/warranty-certifications for complete warranty, including terms and conditions, limitations and exclusions.



USE ONLY GENUINE SANDPIPER PARTS

All certification, standards, guarantees & warranties originally supplied with this pump will be invalidated by the use of service parts not identified as "Genuine SANDPIPER Parts."



Warren Rupp, Inc. • A Unit of IDEX Corporation
800 N. Main St., Mansfield, Ohio 44902 USA
Telephone 419.524.8388 • Fax 419.522.7867

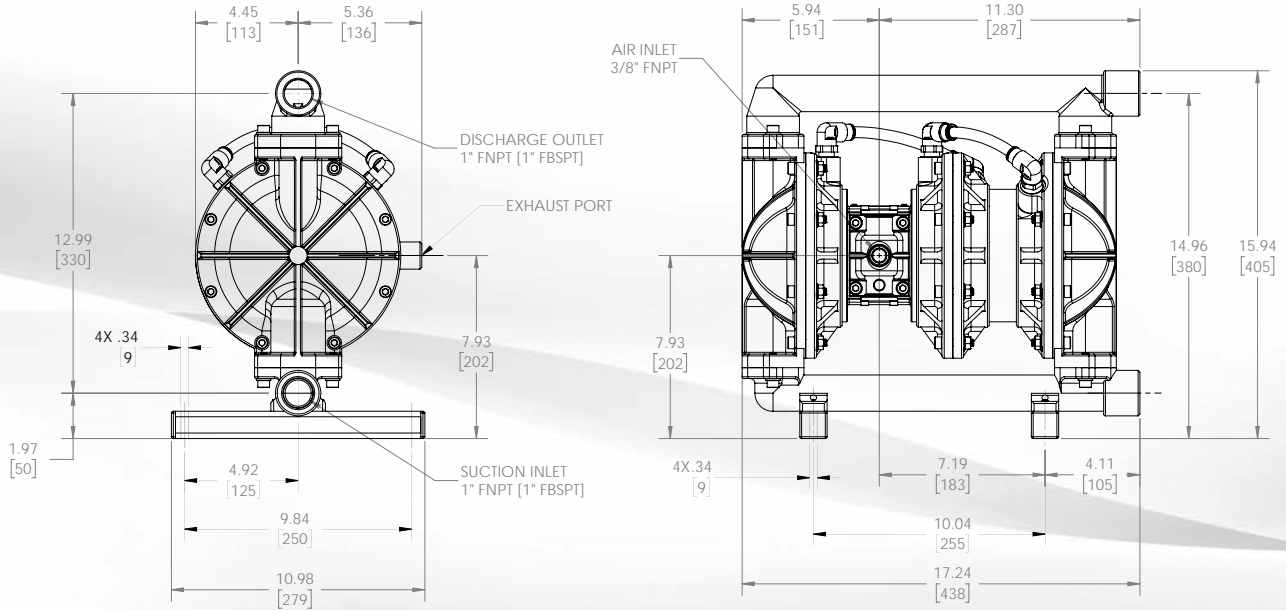


DIMENSIONS

HP10 High Pressure

Dimensions are ± .13" (3mm). Figures in parenthesis = millimeters

HP10 SANDPIPER HIGH PRESSURE PUMP
ALL DIMENSIONS +/- 1/8" +/- 3MM



SANDPIPER®
SANDPIPERPUMP.COM

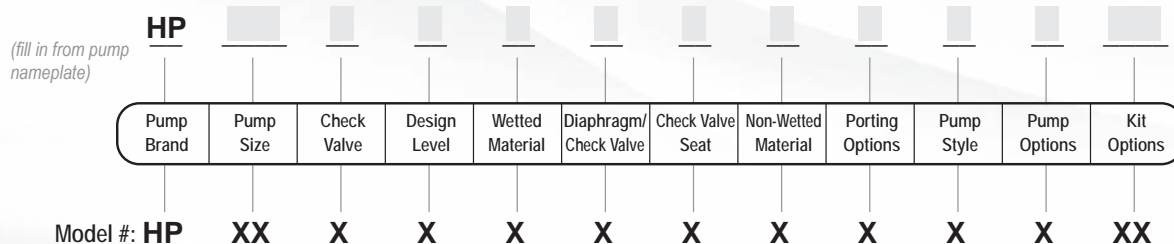
Warren Rupp, Inc. • A Unit of IDEX Corporation
800 N. Main St., Mansfield, Ohio 44902 USA
Telephone 419.524.8388 • Fax 419.522.7867

Tel: 866-777-6060
Fax: 866-777-6383

Springer Pumps, LLC

Website: www.springerpumps.com
Int'l: +001 267 404 2910

EXPLANATION OF PUMP NOMENCLATURE



Pump Series
HP High Pressure

Pump Size & Options
10 1"
Discharge Porting Position

B Ball
W Weighted Ball

Design Level
1 Design Level

Wetted Material
A Aluminum
S Stainless Steel

Diaphragm/Check Valve Materials

B Nitrile/Nitrile
M Santoprene / PTFE
N Neoprene/Neoprene
T Neoprene-PTFE / PTFE

Check Valve Seat
S Stainless Steel

Non-Wetted Material Options
A Painted Aluminum

Porting Options
N NPT Threads
B BSP (Tapered) Threads

Pump Style
I Inline Manifold

Pump Options

6 Metal Muffler

Kit Options

00. None

MATERIALS

Material Profile:	Operating Temperatures:		POLYPROPYLENE: A thermoplastic polymer. Moderate tensile and flex strength. Resists strong acids and alkali. Attacked by chlorine, fuming nitric acid and other strong oxidizing agents.	180°F 82°C	32°F 0°C
	Max.	Min.			
CAUTION! Operating temperature limitations are as follows: CONDUCTIVE ACETAL: Tough, impact resistant, ductile. Good abrasion resistance and low friction surface. Generally inert, with good chemical resistance except for strong acids and oxidizing agents.	190°F 88°C	-20°F -29°C	PVDF: (Polyvinylidene Fluoride) A durable fluoroplastic with excellent chemical resistance. Excellent for UV applications. High tensile strength and impact resistance.	250°F 121°C	0°F -18°C
EPDM: Shows very good water and chemical resistance. Has poor resistance to oils and solvents, but is fair in ketones and alcohols.	280°F 138°C	-40°F -40°C	SANTOPRENE®: Injection molded thermoplastic elastomer with no fabric layer. Long mechanical flex life. Excellent abrasion resistance.	275°F 135°C	-40°F -40°C
FKM (FLUOROCARBON): Shows good resistance to a wide range of oils and solvents: especially all aliphatic, aromatic and halogenated hydrocarbons, acids, animal and vegetable oils. Hot water or hot aqueous solutions (over 70°F(21°C)) will attack FKM.	350°F 177°C	-40°F -40°C	UHMW PE: A thermoplastic that is highly resistant to a broad range of chemicals. Exhibits outstanding abrasion and impact resistance, along with environmental stress-cracking resistance.	180°F 82°C	-35°F -37°C
HYTREL®: Good on acids, bases, amines and glycols at room temperatures only.	220°F 104°C	-20°F -29°C	URETHANE: Shows good resistance to abrasives. Has poor resistance to most solvents and oils.	150°F 66°C	32°F 0°C
NEOPRENE: All purpose. Resistance to vegetable oils. Generally not affected by moderate chemicals, fats, greases and many oils and solvents. Generally attacked by strong oxidizing acids, ketones, esters and nitro hydrocarbons and chlorinated aromatic hydrocarbons.	200°F 93°C	-10°F -23°C	VIRGIN PTFE: (PFA/TFE) Chemically inert, virtually impervious. Very few chemicals are known to chemically react with PTFE; molten alkali metals, turbulent liquid or gaseous fluorine and a few fluoro-chemicals such as chlorine trifluoride or oxygen difluoride which readily liberate free fluorine at elevated temperatures.	220°F 104°C	-35°F -37°C
NITRILE: General purpose, oil-resistant. Shows good solvent, oil, water and hydraulic fluid resistance. Should not be used with highly polar solvents like acetone and MEK, ozone, chlorinated hydrocarbons and nitro hydrocarbons.	190°F 88°C	-10°F -23°C	Maximum and Minimum Temperatures are the limits for which these materials can be operated. Temperatures coupled with pressure affect the longevity of diaphragm pump components. Maximum life should not be expected at the extreme limits of the temperature ranges.		
NYLON: 6/6 High strength and toughness over a wide temperature range. Moderate to good resistance to fuels, oils and chemicals.	180°F 82°C	32°F 0°C	Metals:		
			ALLOY C: Equal to ASTM494 CW-12M-1 specification for nickel and nickel alloy.		
			STAINLESS STEEL: Equal to or exceeding ASTM specification A743 CF-8M for corrosion resistant iron chromium, iron chromium nickel and nickel based alloy castings for general applications. Commonly referred to as 316 Stainless Steel in the pump industry.		

For specific applications, always consult the Chemical Resistance Chart.



SANDPIPER®
SANDPIPERPUMP.COM

Warren Rupp, Inc. • A Unit of IDEX Corporation
800 N. Main St., Mansfield, Ohio 44902 USA
Telephone 419.524.8388 • Fax 419.522.7867

NOTE: See service manual for ATEX details.

SP_DS_TemplateDataSheet_0817

Tel: 866-777-6060
Fax: 866-777-6383

Springer Pumps, LLC

Website: www.springerpumps.com
Int'l: +001 267 404 2910