  
This manual contains important warnings and information.  
**READ AND KEEP FOR REFERENCE.**  
INSTRUCTIONS

First choice when quality counts.™

## ACETAL HUSKY™ 307, PAIL MOUNT

# PRO™ / Delta Spray™ Packages

Metal fluid fittings and hose couplings are stainless steel.

100 psi (0.7 MPa, 7 bar) Maximum Fluid Working Pressure

100 psi (0.7 MPa, 7 bar) Maximum Air Inlet Pressure

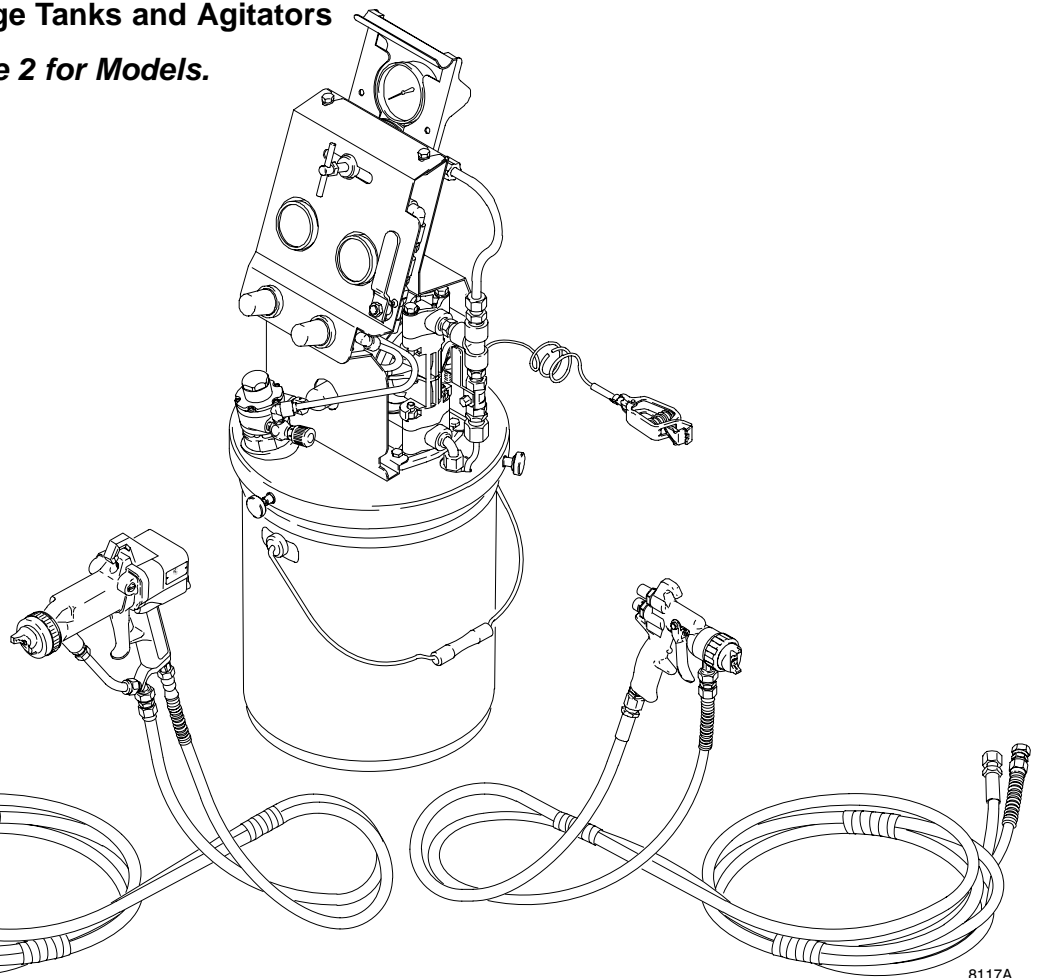
Packages with Fluid Pressure Regulators

Packages with Surge Tanks

Packages with Fluid Pressure Regulators and Agitators

Packages with Surge Tanks and Agitators

See the list on page 2 for Models.



*This gun and hose for PRO 3500sc Electrostatic packages*

*This gun and hose for Delta Spray Air Spray packages and Delta Spray HVLP packages*

GRACO INC. P.O. BOX 1441 MINNEAPOLIS, MN 55440-1441

©COPYRIGHT 1998, GRACO INC.

Graco Inc. is registered to I.S. EN ISO 9001

Springer Pumps, LLC

Tel: 866-777-6060

Fax: 866-777-6383

Website: [www.springerpumps.com](http://www.springerpumps.com)

Int'l: +001 267 404 2910

# Table of Contents

Warnings .....	3
Setup .....	5
Operation .....	7
Maintenance .....	11
Parts List and Parts Drawing	
240321 to 240325 and 240337 to 240341 .....	12
240331 to 240333 and 240237 to 240239 .....	14
Fluid Filter Kit 240440 .....	16
Technical Data .....	17
Dimensions .....	18
Graco Standard Warranty .....	20
Graco Phone Number .....	20

## Models

### Packages with Fluid Pressure Regulators

<b>Model No. 240321</b>	with hoses and Delta Spray air spray gun
<b>Model No. 240322</b>	with hoses and Delta Spray HVLP gun
<b>Model No. 240323</b>	no hoses or gun
<b>Model No. 240324</b>	with hoses and PRO 3500sc electrostatic gun
<b>Model No. 240325</b>	with hoses and PRO 4500sc electrostatic gun

### Packages with Surge Tanks

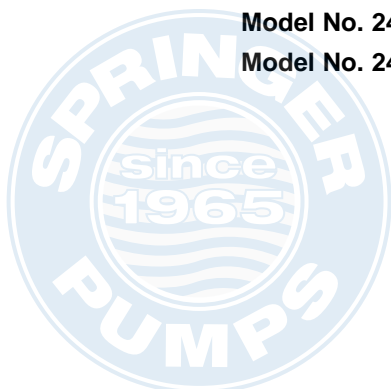
<b>Model No. 240237</b>	with hoses and Delta Spray air spray gun
<b>Model No. 240238</b>	with hoses and Delta Spray HVLP gun
<b>Model No. 240239</b>	no hoses or gun

### Packages with Fluid Pressure Regulators and Agitators

<b>Model No. 240337</b>	with hoses and Delta Spray air spray gun
<b>Model No. 240338</b>	with hoses and Delta Spray HVLP gun
<b>Model No. 240339</b>	no hoses or gun
<b>Model No. 240340</b>	with hoses and PRO 3500sc electrostatic gun
<b>Model No. 240341</b>	with hoses and PRO 4500sc electrostatic gun

### Packages with Surge Tanks and Agitators

<b>Model No. 240331</b>	with hoses and Delta Spray air spray gun
<b>Model No. 240332</b>	with hoses and Delta Spray HVLP gun
<b>Model No. 240333</b>	no hoses or gun



# Symbols

## Warning Symbol



This symbol alerts you to the possibility of serious injury or death if you do not follow the instructions.

## Caution Symbol



This symbol alerts you to the possibility of damage to or destruction of equipment if you do not follow the corresponding instructions.

## WARNING



### PRESSURIZED FLUID HAZARD

Spray from the gun, hose leaks, or ruptured components can splash fluid in the eyes or on the skin and cause serious injury.

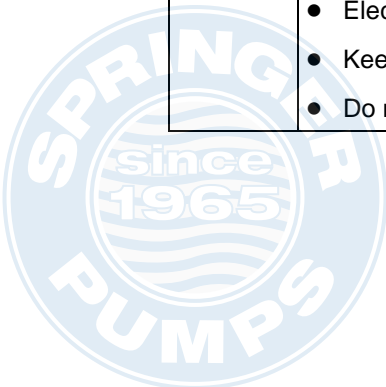
- Do not stop or deflect fluid leaks with your hand, glove, or rag.
- Follow the **Pressure Relief Procedure** on page 7 before cleaning, checking, or servicing the equipment.
- Tighten all fluid connections before each use.
- Check the hoses, tubes, and couplings daily. Replace parts immediately if worn, damaged, or loose. Permanently coupled hoses cannot be repaired.



### FIRE AND EXPLOSION HAZARD

Improper grounding, poor air ventilation, open flames, or sparks can cause a hazardous condition and result in fire or explosion and serious injury.

- Ground the equipment, personnel in or close to the spray area, the object being sprayed, and all other electrically conductive objects in the spray area. See **Grounding** on page 6.
- If there is any static sparking while using the equipment, **stop spraying immediately**. Identify and correct the problem.
- Provide fresh air ventilation to avoid the buildup of flammable vapors from the solvent or the fluid being sprayed.
- Do not smoke in the spray area.
- Extinguish all open flames or pilot lights in the spray area.
- Do not turn on or off any light switch in the spray area.
- Electrically disconnect all equipment in the spray area.
- Keep the spray area free of debris, including solvent, rags, and gasoline.
- Do not operate a gasoline engine in the spray area.



# ⚠ WARNING



INSTRUCTIONS



## EQUIPMENT MISUSE HAZARD

Equipment misuse can cause the equipment to rupture, malfunction, or start unexpectedly and result in a serious injury.

- This equipment is for professional use only.
- Read all the instruction manuals, tags, and labels before operating the equipment.
- Use the equipment only for its intended purpose. If you are uncertain about usage, call your Graco distributor.
- Do not alter or modify this equipment. Use only genuine Graco parts and accessories.
- Check the equipment daily. Repair or replace worn or damaged parts immediately.
- Do not exceed the maximum working pressure of the lowest rated system component. This package has a **100 psi (0.7 MPa, 7 bar) maximum working pressure**.
- Use fluids that are compatible with the equipment wetted parts. See the **Technical Data** section of all the equipment manuals. Read the fluid manufacturer's warnings.
- Route the hoses away from traffic areas, sharp edges, moving parts, and hot surfaces. Do not expose Graco hoses to temperatures above 180°F (82°C) or below -40°F (-40°C).
- Do not use the hoses to pull equipment.
- Do not move pressurized equipment.
- Wear hearing protection when operating this equipment.
- Comply with all applicable local, state, and national fire, electrical, and other safety regulations.



## TOXIC FLUID HAZARD

Hazardous fluids or toxic fumes can cause a serious injury or death if splashed in the eyes or on the skin, swallowed, or inhaled.

- Know the specific hazards of the fluid you are using. Read the fluid manufacturer's warnings.
- Store hazardous fluid in an approved container. Dispose of the hazardous fluid according to all local, state, and national guidelines.
- Wear appropriate protective clothing, gloves, eyewear, and respirator.
- If the pump diaphragm fails, hazardous fluid may be exhausted along with the air.



## MOVING PARTS HAZARD

Moving parts, such as the rotating blades of the agitator, can pinch or amputate your fingers or other body parts and can cause splashing in the eyes or on the skin.

- Keep clear of all moving parts when starting or operating the agitator.
- Always shut off the agitator and disconnect the air line before you remove the agitator from the pail or check or repair any part of the agitator.

# Setup

## CAUTION

This equipment is compatible with most water-based materials. See the wetted parts in the **Technical Data** section and your fluid and solvent manufacturer's compatibility information.

Do not use acid catalyzed materials; they are incompatible with the acetal used in this pump.

## WARNING



### TOXIC FLUID HAZARD

Hazardous fluid or toxic fumes can cause serious injury or death if splashed in the eyes or on the skin, inhaled, or swallowed.

- Read **TOXIC FLUID HAZARD** on page 4.
- Use fluids and solvents that are compatible with the equipment wetted parts. Refer to the **Technical Data** section of all equipment manuals. Read the fluid and solvent manufacturer's warnings.

### General Information

- Always use Genuine Graco Parts and Accessories, available from your Graco distributor. See the Product Data Sheet for this package, Form No. 305898. If you supply your own accessories, be sure they are adequately sized and pressure rated for your system.
- Reference numbers and letters in parentheses refer to the callouts in the figures and the parts lists on pages 12 and 14.

### Preparing the Operator

Anybody who operates this system should be trained in the safe, efficient operation of all system components. At a minimum, all operators should thoroughly read the safety, setup, and operation sections of this manual.

### Preparing the Site

- Use a compressor capable of delivering 40 cfm (1.12 m<sup>3</sup>) and a minimum of 80 psi (552 kPa, 5.4 bar) for efficient operation.
- Clear obstacles and debris that could cause an unsafe operating environment.
- Run a 1/2 in. I.D. air line from your compressed air supply to the pump location. Be sure the air is dry and filtered.
- When the bleed-type master air valve (K) is closed and the pump air regulator is opened, it relieves all air pressure to the system components.
- Ventilate the spray booth.

## WARNING

To prevent hazardous concentrations of toxic and/or flammable vapors, spray only in a properly ventilated spray booth. Never operate the spray gun unless ventilation fans are operating.

Check and follow all of the national, state, and local codes regarding air exhaust velocity requirements.



# Setup

## Hose Connections

This package is shipped with the hoses connected. Before you disconnect any hoses, make a note of the proper connections.

## Flush Pump Before First Use

The pump was tested in water. If the test solution could contaminate the fluid you are pumping, flush the pump thoroughly with a compatible solvent. See **Flushing the System** on page 10.

## Grounding

### ⚠ WARNING

To reduce the risk of static sparking, the entire system must be grounded. Check your local electrical code for detailed grounding instructions for your area and type of equipment. Ground all of this equipment. Also read **FIRE AND EXPLOSION HAZARD** on page 3.

- *Pump:* One end of the ground wire is already connected to the pump grounding strip. Connect the clamp end of the ground wire to a true earth ground.
- *Air compressor:* Follow the manufacturer's recommendations.
- *Object being sprayed:* Follow the local code.
- *Fluid supply container:* Follow the local code.
- *All solvent pails used when flushing:* Follow the local code. Use only metal pails, which are conductive. Do not place the pail on a non-conductive surface, such as paper or cardboard, which interrupts the grounding continuity.
- *Systems with PRO 3500sc and PRO 4500sc electrostatic gun:* Make sure you read all of the grounding instructions and warnings in your gun instruction manual.

## Attaching Unit to Fluid Pail

To attach this unit to the full fluid pail, make sure the knobs are turned out far enough to fit around the outside of the pail rim, lower the unit straight down onto the pail, and tighten the knobs. See Fig. 1.

### ⚠ CAUTION

Lift the unit by the top handle. The handle is not intended for lifting the unit with a 5-gallon container of material attached. The handle is for lifting the unit, including the pail cover, but not when it is attached to a full pail.

**NOTE:** If your system has an agitator, and if the suction/return tubes have any curve, make sure they curve as far away from the agitator blades as possible.

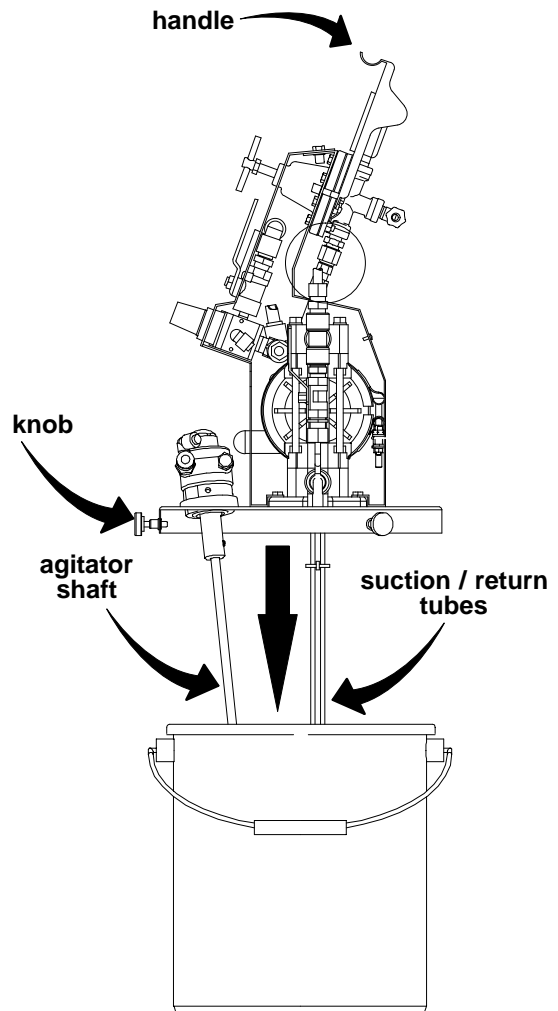


Fig. 1

8174A



# Operation

## Laying Unit Down Without a Pail

To set the unit down without a pail, lay it back on the handle as shown in Fig. 2. This position keeps the suction tube slanted up so that less fluid runs out.

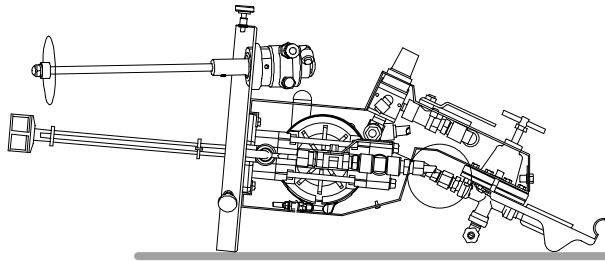


Fig. 2

8175A

## Using the Gun

See the gun instruction manual for gun safety, operation, care, flushing, cleaning, and technical data. Read the entire gun manual before operating the gun.

## Pressure Relief Procedure *See Fig. 3*

### **⚠ WARNING**

The system remains pressurized until pressure is manually relieved. To reduce the risk of serious injury from pressurized fluid, accidental spray from the gun, or splashing of any fluid, follow this procedure whenever you

- Stop spraying
- Are instructed to relieve pressure
- Check or service any system equipment
- Install, clean, or change spray nozzles

1. Turn off the air supply to the pump.
2. Be sure the pump air regulator is open by turning the knob (E) clockwise several turns.
3. Open the bleed-type master air valve (K) to relieve pump air pressure.
4. Trigger the gun (B) to relieve fluid pressure in the hoses.
5. Open the recirculating valve (J) to relieve any fluid pressure trapped in the system.

## Adjusting Pump and Gun Air Regulators, and Fluid Regulator (if present)

*See Fig. 3*

**NOTE:** The pump air regulator knob (E) and gun air regulator knob (F) have a locking feature. To unlock the knobs, pull out on them. You will feel them click out. To lock them at the desired setting, push them back into the locked position.

Always adjust the pump air regulator (E) and gun air regulator (F) slowly to prevent surging during startup. Turn the knobs clockwise to increase pressure, and counterclockwise to decrease air pressure.

1. Adjust the pressure as follows:
  - a. On systems without a fluid regulator, slowly adjust the pump air regulator (E) to set air pressure to a minimum of 40 psi (280 kPa, 2.8 bar), or to a pressure appropriate for your fluid.
  - b. If your system has a fluid pressure regulator, turn the fluid pressure regulator handle (G) as follows (gun not triggered):

HVLP guns: 20 to 25 psi (140 to 170 kPa, 1.4 to 1.7 bar)

Air Spray guns: 40 to 60 psi (276 to 413 kPa, 2.8 to 4 bar).

2. Slowly open the gun air regulator (F), and pull the gun trigger just enough to open **only the air valve** in the gun. With the gun air triggered, and using a 5/16 in. (8 mm) ID, 25 ft (7.6 m) hose, set the gun air pressure as follows:

HVLP guns: 60 psi (413 kPa, 4 bar)

Air Spray guns: 65 to 90 psi (445 to 621 kPa, 4.5 to 6.2 bar).

These pressures may change depending on the fluid being sprayed.

**NOTE:** Gun air pressure higher than 60 psi (413 kPa, 4 bar) will cause excessive overspray and lowered efficiency.

3. If your system has a fluid pressure regulator (G), fully trigger the gun, and fine tune the fluid pressure to obtain the desired atomization.

# Operation

## Systems with Fluid Pressure Regulator

See Fig. 3

With the fluid pressure regulator (G), you can control fluid pressure from the pump to the gun. For an accurate setting, adjust the fluid regulator only when the gun is triggered and fluid is flowing through the regulator. Be sure the jam nut under the T-handle (G) does not interfere with your adjustments. Tighten the jam nut to lock in the setting, if desired.

1. To open the fluid regulator, which allows fluid to flow, turn the T-handle clockwise.
2. To close the fluid regulator, which restricts or shuts off the fluid flow, turn the T-handle counterclockwise.

## Systems with Agitator See Fig. 3

See the agitator instruction manual for agitator safety, operation, maintenance, and technical data. Read the entire agitator manual before operating the agitator.

The agitator (S) in this system provides constant, gentle mixing of fluid during operation. The agitator speed is adjusted with the needle valve (T). To operate the agitator, open the bleed-type master air valve (K), and turn the needle valve (T) clockwise very slowly. Set the agitator speed to a moderately slow setting, and monitor the speed periodically. Too high an agitator speed will cause air to be induced into the fluid, which will cause surface defects in the finish.

**NOTE:** The agitator will not operate with the bleed-type master air valve (K) closed. To agitate fluid while not spraying, turn down the pump air regulator (E) and the gun air regulator (F).

## Systems with Surge Tank

See *Parts Drawing* on page 15

In systems with a surge tank (30), the fluid pressure is the same as the air pressure applied to the pump (pump has 1:1 ratio of fluid to air). Adjust the fluid pressure as required with the pump air regulator (E).

The surge tank filter screen may require periodic cleaning. First, **relieve the pressure**. Unscrew the surge tank cover from its base, and remove the filter screen. Clean the screen with a compatible solvent, and reinstall it in the surge tank. Make sure you reinstall the cover with a firm hand torque to ensure a good seal.

### **WARNING**

To reduce the risk of serious injury whenever you are instructed to relieve pressure, always follow the **Pressure Relief Procedure** on page 7.

**NOTE:** The pump requires approximately 15 to 20 psi (103 to 138 kPa, 1 to 1.4 bar) to function. This is the lowest fluid pressure available. If lower fluid flow is required, a smaller fluid tip may be required on the spray device.





# Operation

## Priming the System *See Fig. 3*

1. Close the gun air regulator (F).
2. If your system has a fluid pressure regulator (G), close it.
3. Open the recirculating valve (J).
4. Open the bleed-type master air valve (K).
5. Slowly set the pump air regulator (E) pressure to 20 to 30 psi (140 to 210 kPa, 1.4 to 2.1 bar). The pump cycles quickly, then it slows down when it is primed. When it is primed, close the recirculating valve (J); the pump will stall against the pressure. If the pump does not start, reopen the recirculating valve for 30 seconds, then close it. Set the pump air pressure to 40 psi (280 kPa, 2.8 bar), or to a pressure appropriate for your fluid.
6. Slowly open the gun air regulator (F), and pull the gun trigger just enough to open **only the air valve** in the gun. With the gun air triggered, and using a 5/16 in. (8 mm) ID, 25 ft (7.6 m) hose, set the gun air pressure as follows:  
 HVLP guns: 60 psi (413 kPa, 4 bar)  
 Air Spray guns: 65 to 90 psi (445 to 621 kPa, 4.5 to 6.2 bar).  
 These pressures may change depending on the fluid being sprayed.
7. Hold the gun against and aimed into a grounded metal waste pail, and fully trigger the gun. If your system has a fluid pressure regulator (G), slowly open it.

The gun emits air until the fluid arrives. When fluid flows freely, release the gun trigger.

### Delta Spray regulated Air Spray package with agitator or regulated HVLP package with agitator shown

#### KEY

A Husky 307 pump	K Bleed-type master air valve
B Gun	L Suction tube and return tube
C Gun fluid hose	M Front shield assembly
D Gun air hose	N Back shield
E Pump air regulator	P Lifting handle
F Gun air regulator	Q Pail cover knob
G Fluid pressure regulator	R Grounded metal pail
H Pump ground wire	S Agitator
J Recirculating valve	T Agitator needle valve

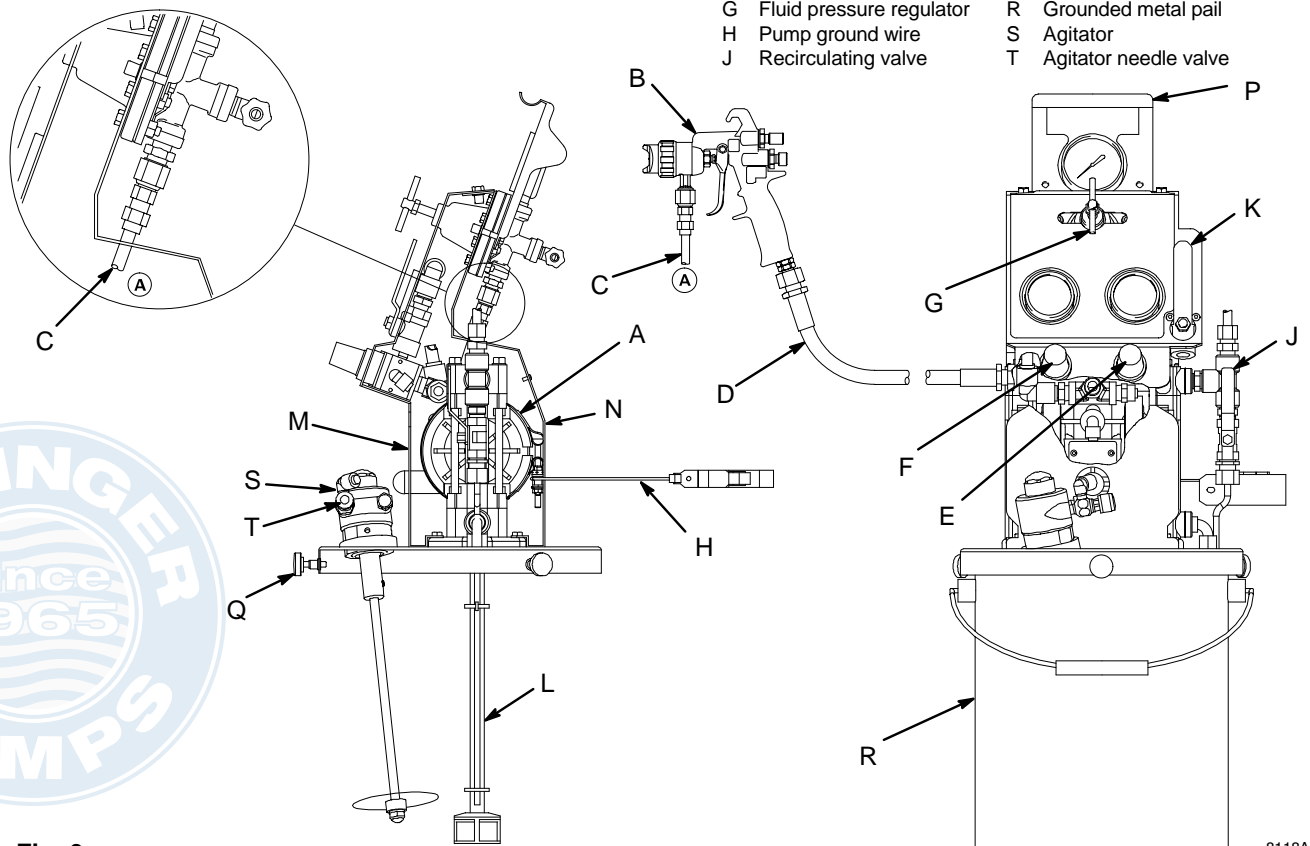


Fig. 3

8118A

# Operation

## Using the Recirculation Feature

See Fig. 3

The recirculation tube drains unused fluid back into the fluid container, ensuring an even flow at the gun. Recirculation also provides gentle fluid agitation. To recirculate fluid, open the recirculation valve (J) while you are spraying. To stop recirculation, close the valve.

## When to Shut Down the System

Shut down the system at the end of the work shift and before checking, adjusting, cleaning, or repairing the system. Always **relieve the pressure**.

### **WARNING**

To reduce the risk of serious injury whenever you are instructed to relieve pressure, always follow the **Pressure Relief Procedure** on page 7.

## Flushing the System

Flush the system at the following times:

- Before the first-time use
- When changing colors
- Before fluid can dry or settle out in a dormant system.
- Before storing the system

Flush the system as follows (See Fig. 3):

1. **Relieve the pressure.**

### **WARNING**

To reduce the risk of serious injury whenever you are instructed to relieve pressure, always follow the **Pressure Relief Procedure** on page 7.

2. Remove the gun air cap before flushing, and clean it separately.

3. Place the suction tube (L) into a grounded metal pail of compatible solvent.
4. Make sure the air regulators (E and F) and master air valve are closed. Open the recirculating valve (J).

**NOTE:** The gun air regulator (F) always stays closed during flushing.

5. Open the bleed-type master air valve (K).
6. Slowly open the pump air regulator (E) until the pump starts. When fluid is flowing through the recirculating valve (J), close the valve. The pump will stall against pressure.
7. Hold the gun against a grounded metal waste pail, and fully trigger the gun. If your system has a fluid pressure regulator (G), slowly open it until the fluid flows smoothly.
8. When solvent appears, release the gun trigger.
9. For a first-time flush: trigger the gun and flush with solvent for 30 seconds.

For flushing after spraying fluid: trigger the gun and flush with solvent until the system is thoroughly cleaned. Open the recirculating valve (J) slightly to clean the recirculation tube. Then close it.

10. Repeat the procedure with clean solvent, if needed.
11. Lift the fluid intake tube from the fluid supply, and trigger the gun and run the pump until air comes from the gun.
12. **Relieve the pressure.**

The system is now ready to be stored or primed with another fluid. See **Priming the System** on page 9.

### **CAUTION**

The pail covers on these systems are not air tight. They are not intended for long-term storage of materials.

# Maintenance

See the separate component instruction manuals for individual component maintenance procedures.

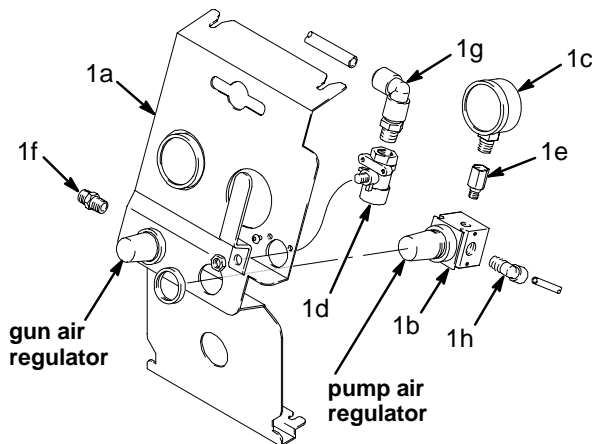
Access to some system components requires that you remove the shields. The following steps are for shield removal. Shield replacement is the reverse of these steps, so make sure you take notes on the proper hose connections. Depending on your system, see the **Parts Drawings** on pages 13 and 15 for number call-outs.

## Front Shield Assembly (1)

1. Disconnect the pump air hose from the pump air regulator.
2. Disconnect the gun air hose from the gun air regulator.
3. Loosen, but do not remove, the two front pump foot screws (24).
4. Loosen, but do not remove, the two top shield screws (32).
5. If your system has a fluid pressure regulator (G), make sure the T-handle is horizontal.
6. Pull the front shield assembly free of the system.

## Back Shield (25)

1. Disconnect the gun fluid hose from the fluid pressure regulator or surge tank nipple (28).
2. Disconnect the hose (46) that runs from the fluid pressure regulator (40) or surge tank (30) to the fitting on the pump outlet pipe tee (5).
3. Loosen, but do not remove, the two top shield screws (32).
4. Loosen, but do not remove, the two back pump foot screws (24).
5. Pull the back shield free of the system. The fluid pressure regulator (40) or surge tank (30) stays mounted to the back shield.



### Front Shield Assembly Orderable Parts

Ref. No.	Part No.	Description	Qty.
1a	192995	SHIELD, front	1
1b	111804	REGULATOR, air <i>See instruction manual 308167</i>	2
1c	160430	GAUGE, pressure	2
1d	114362	VALVE, ball	1
1e	159840	ADAPTER	2
1f	188077	NIPPLE	1
1g	114369	FITTING, tube	1
1h	114370	FITTING, tube	1

## Gauge Lense Covers

Clear, stick-on/peel-off lense covers are available for the gauges. These covers protect the gauge lenses from spray. When they get too dirty to read the gauges, they can be peeled off, discarded, and replaced.

**NOTE:** Several of these lense covers can be stacked on the lense, and the gauge will still be clearly legible. Then, as each lense cover gets dirty, only that one layer will need to be peeled off.

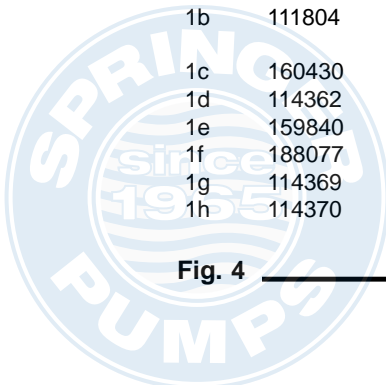
Order as follows:

**240441** for 2.5-inch gauges; package of 25 sheets, 12 lense covers to a sheet

**240442** for 2-inch gauges; package of 25 sheets, 12 lense covers to a sheet

Fig. 4

8263A



# Parts List

## Pail-Mount Packages with Fluid Pressure Regulators

**Model No. 240321**, Delta Spray air spray package

**Model No. 240322**, Delta Spray HVLP package

**Model No. 240323**, no hoses (39) or gun (38)

**Model No. 240324**, PRO 3500sc electrostatic package

**Model No. 240325**, PRO 4500sc electrostatic package

## Pail-Mount Packages with Fluid Pressure Regulators and Agitators

**Model No. 240337**, Delta Spray air spray package

**Model No. 240338**, Delta Spray HVLP package

**Model No. 240339**, no hoses (39) or gun (38)

**Model No. 240340**, PRO 3500sc electrostatic package

**Model No. 240341**, PRO 4500sc electrostatic package

Ref. No.	Part No.	Description	Qty.	Ref. No.	Part No.	Description	Qty.
1	240210	SHIELD ASSY, front <i>Contains 1a to 1h, Fig. 4 on page 11</i>	1	31	100014	SCREW	2
2	224571	AGITATOR <i>Models 240337 to 240341</i> <i>See instruction manual 306565</i>	1	32	100333	SCREW, cap, hex head	2
3	101108	PAIL, metal	1	33	114369	FITTING, tube, quick-connect	1
4	111917	NIPPLE; Nylon	2	34	193251	LABEL, product ( <i>Delta packages</i> )	1
5	113718	TEE, pipe	1		193252	LABEL, product ( <i>PRO packages</i> )	1
6	113222	CONNECTOR, male	1	37	238909	GROUND WIRE & CLAMP ASSY	1
7	114363	VALVE, ball; sst	1	38	239542	GUN, Delta Spray, air spray <i>Models 240321, 240337</i>	1
8	111811	CONNECTOR, male	1		239561	GUN, Delta Spray, HVLP <i>See instruction manual 308742</i>	1
9	054175	TUBE, recirculation	17.5 in.			<i>Models 240322, 240338</i>	
10	113777	TEE, branch; 3/8 in. <i>Models with agitator (2)</i>	1		222300	GUN, PRO 3500sc, electrostatic <i>See instruction manual 308741</i>	1
11	114366	FITTING, tube, quick connect <i>Models with agitator (2)</i>	1		224200	GUN, PRO 4500sc, electrostatic <i>Models 240324, 240340</i>	1
12	114367	FITTING, tube, quick connect <i>Models with agitator (2)</i>	1			<i>See instruction manual 307912</i>	1
13	114371	KNOB, knurled	3	39	240421	HOSE ASSY, air spray/HVLP; 25 ft (7.6 m) <i>Delta packages</i>	1
15	193316	NUT, collar <i>Models with agitator (2)</i>	1		240425	HOSE ASSY, PRO gun; 25 ft (7.6 m) <i>PRO packages</i>	1
16	193315	COLLAR, agitator mount <i>Models with agitator (2)</i>	1	40	241976	REGULATOR, fluid pressure; 0–60 psi (0–414 kPa, 0–4 bar)	1
17a	111813	PLUG, button ( <i>not shown</i> )	1			<i>Models 240322, 240338 only</i>	
17b	100050	SCREW, set <i>Models with agitator (2)</i>	1		236450	REGULATOR, fluid pressure; 0–100 psi (0–0.6 MPa, 0–7 bar)	1
18	193131	COVER, pail <i>Replacement Assy. is 240212</i>	1			<i>All Models except 240322, 240338</i>	
19	111808	ELBOW, male	1			<i>See instruction manual 308325</i>	1
20	054715	TUBE, suction	12 in.				
20a	054715	TUBE, suction; ( <i>not shown</i> ) <i>For taller pail, trim to pail length</i>	1	41	112903	NUT, hex	1
21	181163	HOUSING, filter	1	42	D31331	PUMP, Husky 307 <i>See instruction manual 308553</i>	1
22	181164	FILTER, inlet tube	1	45▲	189220	LABEL, warning	1
23	103473	STRAP, tie, wire	2	46	054188	TUBE; PTFE	9.5 in.
24	100021	SCREW, cap, hex head	4	47	054139	TUBE; Nylon	11.5 in.
25	192996	SHIELD, back	1	48	054175	HOSE; Nylon <i>Cut into two 10-in pieces</i>	20 in.
26	104029	LUG, grounding	1	49	240464	WIRE, ground, <i>see Note in drawing.</i> <i>PRO packages</i>	1
27	113521	ELBOW, street	1	51	114370	FITTING, tube, quick-connect	1
28	189436	NIPPLE	1	54	112899	WASHER, lock	1
29	192994	HANDLE, shield	1				
30	112789	WASHER, flat	2				

▲ Extra Warning labels are available for free.

12 308822

Tel: 866-777-6060

Fax: 866-777-6383

Springer Pumps, LLC

Website: [www.springerpumps.com](http://www.springerpumps.com)

Int'l: +001 267 404 2910

# Parts Drawing

## Pail-Mount Packages with Fluid Pressure Regulators

Model No. 240321, Delta Spray air spray package

Model No. 240322, Delta Spray HVLP package

Model No. 240323, no hoses (39) or gun (38)

Model No. 240324, PRO 3500sc electrostatic package

Model No. 240325, PRO 4500sc electrostatic package

## Pail-Mount Packages with Fluid Pressure Regulators and Agitators

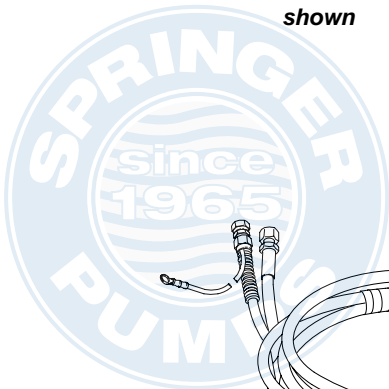
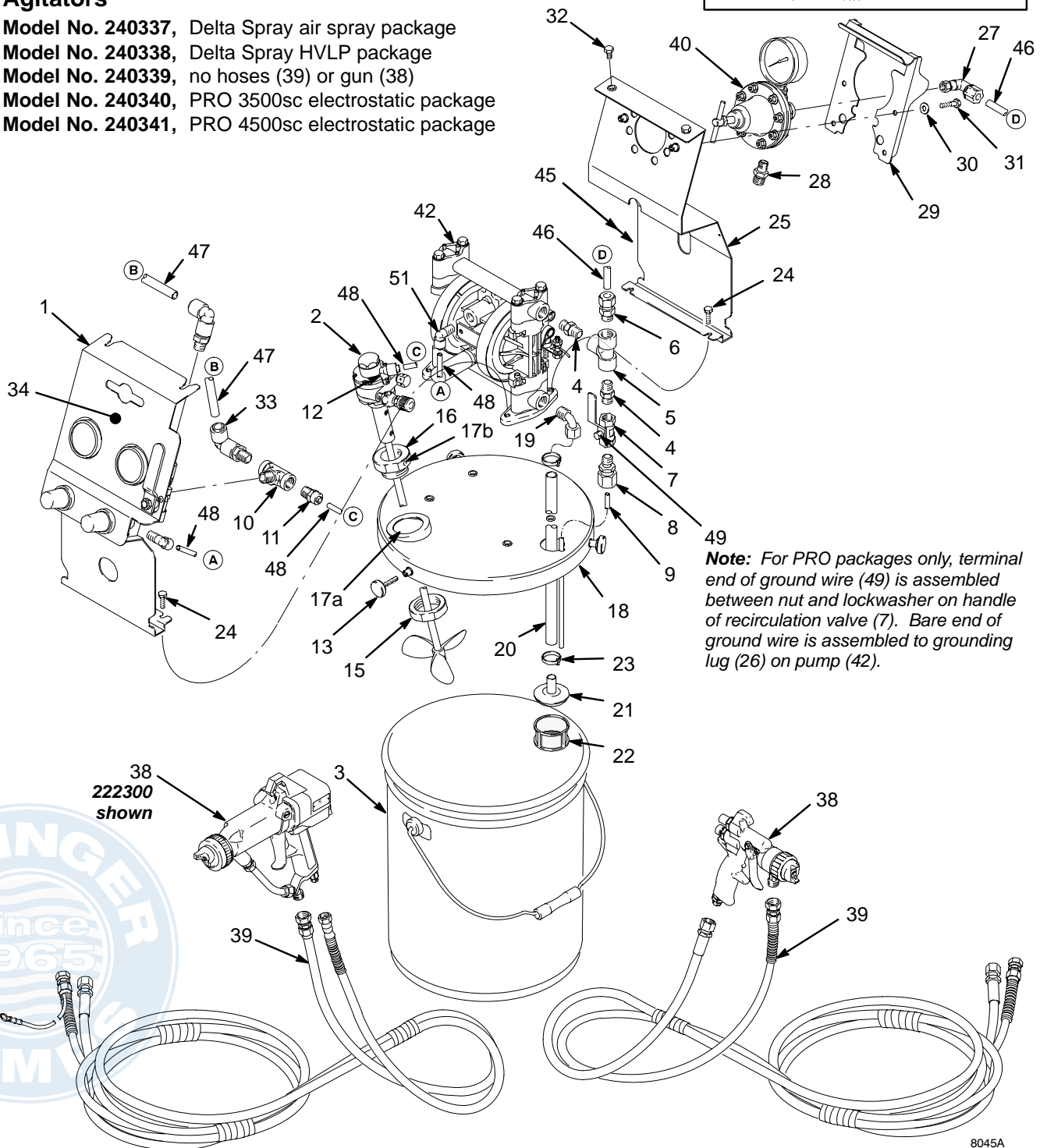
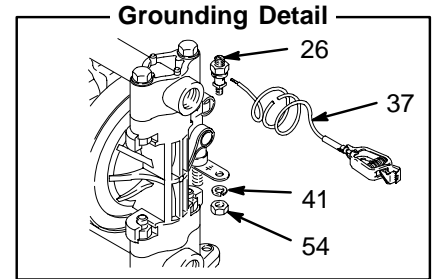
Model No. 240337, Delta Spray air spray package

Model No. 240338, Delta Spray HVLP package

Model No. 240339, no hoses (39) or gun (38)

Model No. 240340, PRO 3500sc electrostatic package

Model No. 240341, PRO 4500sc electrostatic package



8045A

# Parts List

## Pail-Mount Packages with Surge Tanks

**Model No. 240237**, Delta Spray air spray package

**Model No. 240238**, Delta Spray HVLP package

**Model No. 240239**, no hoses (39) or gun (38)

## Pail-Mount Packages with Surge Tanks and Agitators

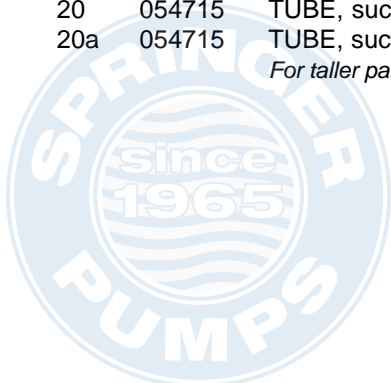
**Model No. 240331**, Delta Spray air spray package

**Model No. 240332**, Delta Spray HVLP package

**Model No. 240333**, no hoses (39) or gun (38)

Ref. No.	Part No.	Description	Qty.	Ref. No.	Part No.	Description	Qty.
1	240210	SHIELD ASSY, front <i>Contains 1a to 1h, shown in Fig. 4 on page 11</i>	1	21	181163	HOUSING, filter	1
2	224571	AGITATOR <i>Models 240331 to 240333 See instruction manual 306565</i>	1	22	181164	FILTER, inlet tube	1
3	101108	PAIL, metal	1	23	103473	STRAP, tie, wire	2
4	111917	NIPPLE; Nylon	2	24	100021	SCREW, cap, hex head	4
5	113718	TEE, pipe	1	25	192996	SHIELD, back	1
7	114363	VALVE, ball; sst	1	26	104029	LUG, grounding	1
8	111811	CONNECTOR, male	1	27	114456	FITTING, elbow, male	2
9	054175	TUBE, recirculation	17.5 in.	28	188089	NIPPLE	1
10	113777	TEE, branch; 3/8 in. <i>Models with agitator (2)</i>	1	29	192994	HANDLE, shield	1
11	114366	FITTING, tube, quick connect <i>Models with agitator (2)</i>	1	30	111911	STRAINER, line	1
12	114367	FITTING, tube, quick connect <i>Models with agitator (2)</i>	1	31	106285	BOLT, "U"	2
13	114371	KNOB, knurled	3	32	100333	SCREW, cap, hex head	4
15	193316	NUT, collar <i>Models with agitator (2)</i>	1	33	114369	FITTING, tube, quick-connect	1
16	193315	COLLAR, agitator mount <i>Models with agitator (2)</i>	1	34	193253	LABEL, product	1
17a	111813	PLUG, button <i>(not shown)</i>	1	37	238909	GROUND WIRE & CLAMP ASSY	1
17b	100050	SCREW, set <i>Models with agitator (2)</i>	1	38	239542	GUN, Delta Spray, air spray <i>Models 240237, 240331 See instruction manual 308742</i>	1
18	193131	COVER, pail <i>Replacement Assy. is 240212</i>	1		239561	GUN, Delta Spray, HVLP <i>Models 240238, 240332 See instruction manual 308741</i>	1
19	111808	ELBOW, male	1	39	240421	HOSE ASSY, air spray/HVLP; 25 ft (7.6 m)	1
20	054715	TUBE, suction	12 in.	41	112903	NUT, hex	1
20a	054715	TUBE, suction; (not shown) <i>For taller pail, trim to pail length</i>	1	42	D31331	PUMP, Husky 307 <i>See instruction manual 308553</i>	1
				45▲	189220	LABEL, warning	1
				46	054188	TUBE; PTFE	9.5 in.
				47	054139	TUBE; Nylon	11.5 in.
				48	054175	HOSE; Nylon <i>Cut into two 10-in pieces</i>	20 in.
				51	114370	FITTING, tube, quick-connect	1
				54	112899	WASHER, lock	1

▲ Extra Warning labels are available for free.



# Parts Drawing

## Pail-Mount Packages with Surge Tanks

Model No. 240237, Delta Spray air spray package

Model No. 240238, Delta Spray HVLP package

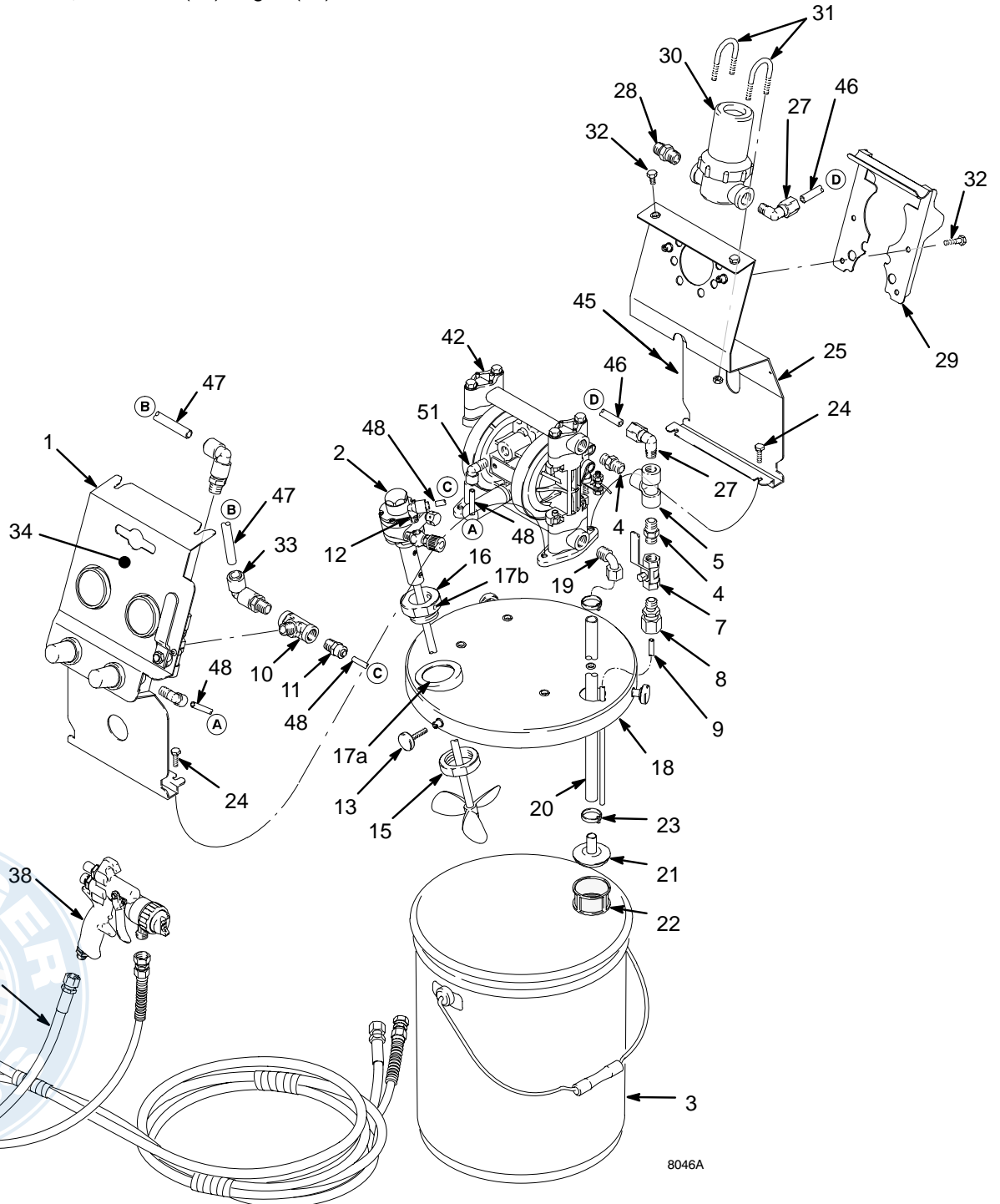
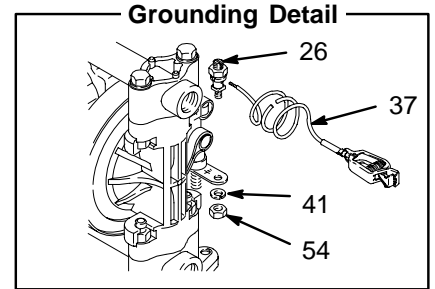
Model No. 240239, no hoses (39) or gun (38)

## Pail-Mount Packages with Surge Tanks and Agitators

Model No. 240331, Delta Spray air spray package

Model No. 240332, Delta Spray HVLP package

Model No. 240333, no hoses (39) or gun (38)



8046A

# Accessory Fluid Filter Kit

## Fluid Filter Kit 240440

Ref. No.	Part No.	Description	Qty.
101	114361	FILTER, fluid	1
102	113322	CONNECTOR, male	1
103	054188	TUBE; PTFE; 3/8" O.D.	8 in.
104	113534	ELBOW, male x female	2
105	111917	NIPPLE; Nylon	1

† To avoid sharp bends in the tube, you may have to cut it to a shorter length.

‡ Apply Graco Thread Sealer, or Loctite® 567, or equivalent to male threads.

▲ For initial installation, make sure the dome is firmly hand tightened onto the filter body. **Do not use a tool.** During subsequent service, hand tighten more firmly to prevent drips.

The Fluid Filter Kit, listed above, can be installed to filter fluid drawn by the suction tube after it comes out of the pump. Install the Fluid Filter Kit as follows (see Fig. 5):

1. Apply thread sealant (specified in Fig. 5) to all male threads in this kit.
2. Remove the male connector (6) and the PTFE tube (46) that connect to the top of the tee (5). See the **Parts** drawing on page 13.
3. Thread the nipple (105) into the female threads of the elbow (104).
4. Thread the nipple (105), with the elbow (104) attached to it, into the tee (5).
5. Thread the fluid filter (101) onto the male threads of the elbow (104). Make sure you install the filter in accordance with the flow direction arrow shown on the filter housing.
6. Thread the male connector (102) into the fluid filter (101).
7. Turn the fluid filter/male connector assembly towards the elbow (27), and turn the elbow (27) down toward the tube. This makes connecting the tube (103) in step 8 easier.
8. Cut the PTFE tube (103) to the proper length, and install it to run from the male connector (102) to the elbow (27).

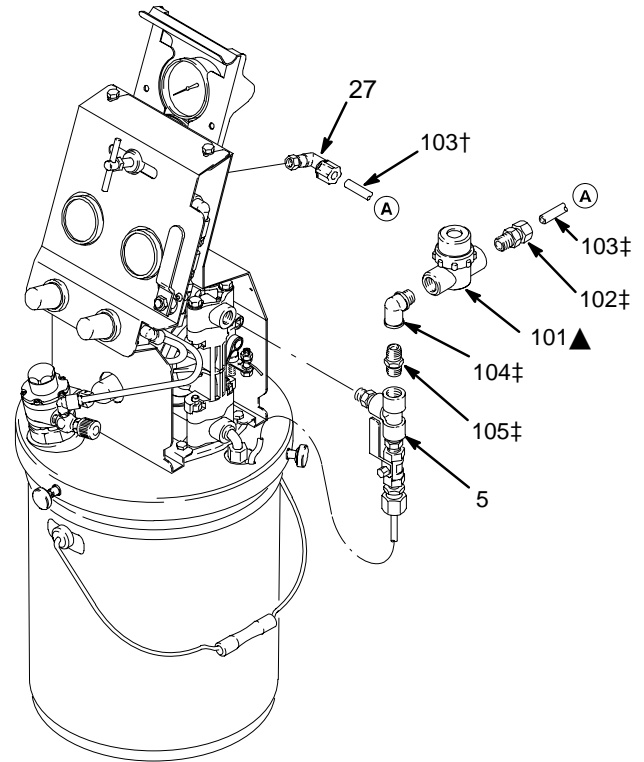


Fig. 5

8158A





# Technical Data

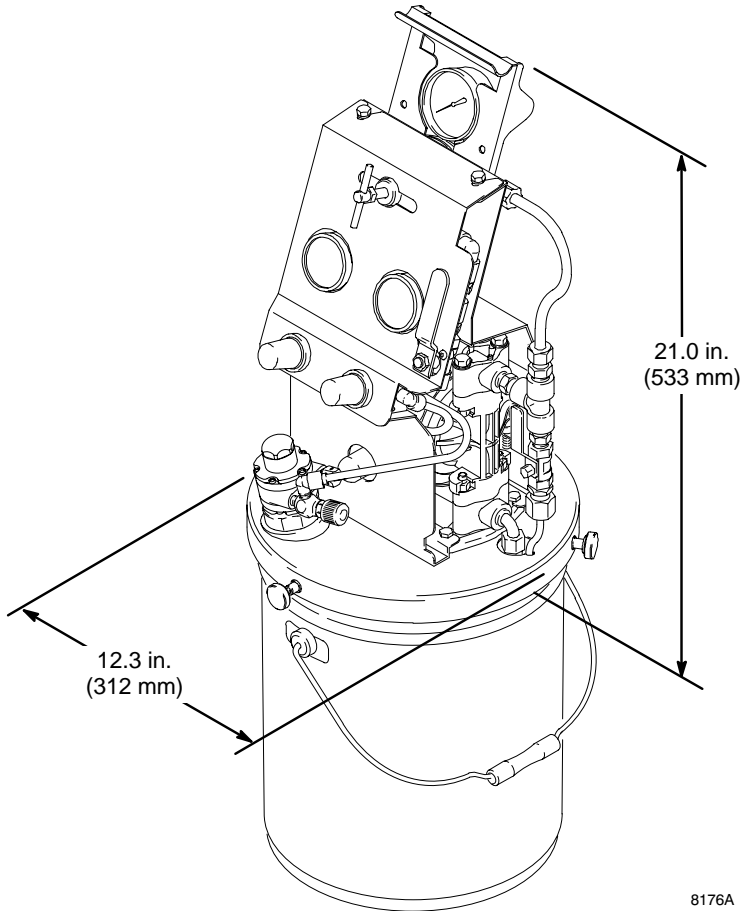
Category	Data
Maximum fluid working pressure	100 psi (0.7 MPa, 7 bar)
Maximum incoming air pressure	100 psi (0.7 MPa, 7 bar)
Maximum operating temperature	120° F (49° C)
Gun	See separate gun instruction manual.
Pump	See separate pump instruction manual.
Fluid pressure regulator	See separate fluid pressure regulator instruction manual.
Air pressure regulators	See separate air pressure regulator instruction manual.
Agitator	See separate agitator instruction manual.
Wetted parts: fluid hoses for Delta guns	nylon, stainless steel
Wetted parts: fluid hoses for PRO guns	nylon, nickel-chrome plate
Wetted parts: other fluid hoses and tubing	nylon, PTFE
Wetted parts: fluid fittings	nylon, acetal, 304/316 stainless steel
Wetted Parts: Pail cover	stainless steel
Weight (without hoses or gun):	
packages with fluid pressure regulator	Approx. 29 lb (13 kg)
packages with surge tank	Approx. 29.5 lb (13.5 kg)
packages with fluid pressure regulator and agitator	Approx. 32 lb (15 kg)
packages with surge tank and agitator	Approx. 31 lb (14 kg)
Sound data:	
Sound power level* at 70 psi 0.48 MPa, 4.8 bar) and 115 cpm	68 dB(A)
Sound pressure level at 70 psi 0.48 MPa, 4.8 bar) and 115 cpm	81.5 dB(A)

\* Sound power level was measured per ISO Standard 3744.

PTFE ® is a registered trademark



# Dimensions





# Manual Change Summary

This manual is revised to make the following changes:

- Adjustment procedure (page 7) and Priming procedure (page 9) have been changed.
- Part No. 241976 Fluid Regulator (40) replaces Part No. 236449 (Models 240322 and 240338 only).

## Graco Standard Warranty

Graco warrants all equipment manufactured by Graco and bearing its name to be free from defects in material and workmanship on the date of sale by an authorized Graco distributor to the original purchaser for use. With the exception of any special, extended, or limited warranty published by Graco, Graco will, for a period of thirty-six months from the date of sale, repair or replace any part of the equipment determined by Graco to be defective. This warranty applies only when the equipment is installed, operated and maintained in accordance with Graco's written recommendations.

This warranty does not cover, and Graco shall not be liable for general wear and tear, or any malfunction, damage or wear caused by faulty installation, misapplication, abrasion, corrosion, inadequate or improper maintenance, negligence, accident, tampering, or substitution of non-Graco component parts. Nor shall Graco be liable for malfunction, damage or wear caused by the incompatibility of Graco equipment with structures, accessories, equipment or materials not supplied by Graco, or the improper design, manufacture, installation, operation or maintenance of structures, accessories, equipment or materials not supplied by Graco.

This warranty is conditioned upon the prepaid return of the equipment claimed to be defective to an authorized Graco distributor for verification of the claimed defect. If the claimed defect is verified, Graco will repair or replace free of charge any defective parts. The equipment will be returned to the original purchaser transportation prepaid. If inspection of the equipment does not disclose any defect in material or workmanship, repairs will be made at a reasonable charge, which charges may include the costs of parts, labor, and transportation.

**THIS WARRANTY IS EXCLUSIVE, AND IS IN LIEU OF ANY OTHER WARRANTIES, EXPRESS OR IMPLIED, INCLUDING BUT NOT LIMITED TO WARRANTY OF MERCHANTABILITY OR WARRANTY OF FITNESS FOR A PARTICULAR PURPOSE.**

Graco's sole obligation and buyer's sole remedy for any breach of warranty shall be as set forth above. The buyer agrees that no other remedy (including, but not limited to, incidental or consequential damages for lost profits, lost sales, injury to person or property, or any other incidental or consequential loss) shall be available. Any action for breach of warranty must be brought within four (4) years of the date of sale.

Graco makes no warranty, and disclaims all implied warranties of merchantability and fitness for a particular purpose in connection with accessories, equipment, materials or components sold but not manufactured by Graco. These items sold, but not manufactured by Graco (such as electric motors, switches, hose, etc.), are subject to the warranty, if any, of their manufacturer. Graco will provide purchaser with reasonable assistance in making any claim for breach of these warranties.

In no event will Graco be liable for indirect, incidental, special or consequential damages resulting from Graco supplying equipment hereunder, or the furnishing, performance, or use of any products or other goods sold hereto, whether due to a breach of contract, breach of warranty, the negligence of Graco, or otherwise.

### **FOR GRACO CANADA CUSTOMERS**

The parties acknowledge that they have required that the present document, as well as all documents, notices and legal proceedings entered into, given or instituted pursuant hereto or relating directly or indirectly hereto, be drawn up in English. Les parties reconnaissent avoir convenu que la rédaction du présente document sera en Anglais, ainsi que tous documents, avis et procédures judiciaires exécutés, donnés ou intentés à la suite de ou en rapport, directement ou indirectement, avec les procédures concernées.

## Graco Phone Number

**TO PLACE AN ORDER**, contact your Graco distributor, or call this number to identify the distributor closest to you:  
**1-800-367-4023 Toll Free**

*All written and visual data contained in this document reflect the latest product information available at the time of publication.  
Graco reserves the right to make changes at any time without notice.*

**Sales Offices:** Minneapolis, Detroit

**Foreign Offices:** Belgium, Korea, Hong Kong, Japan

**GRACO INC. P.O. BOX 1441 MINNEAPOLIS, MN 55440-1441**

**www.graco.com**

PRINTED IN USA 308822 March 1998, Revised October 2000

**20 308822**

Tel: 866-777-6060

Fax: 866-777-6383

Springer Pumps, LLC

Website: [www.springerpumps.com](http://www.springerpumps.com)

Int'l: +001 267 404 2910