


## Floor Stand Accessory

307971J  
EN

**Use with bulk fluid containers.**

The Floor Stand Accessory allows bulk fluid containers to be located at some distance from the pump. the maximum length of the bulk fluid input line will vary per application. For a particular application, contact you Graco distributor.

						
<p>Never use floor stands in a pressure-feed system. Use in a gravity-feed system only, with an inlet fluid pressure of 15 psi (1 bar).</p>						

### Model 222699

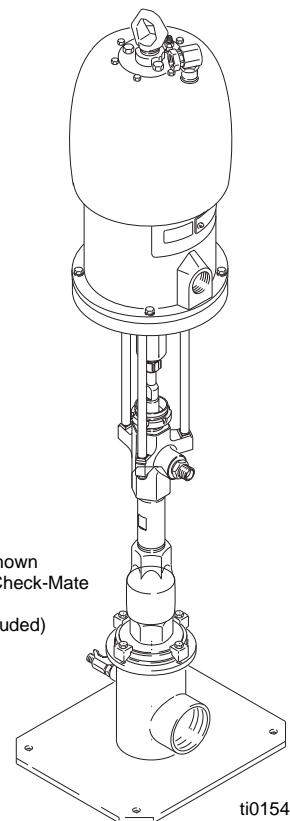
Fits Powerflo® Pumps  
with male threaded intake cylinder valve.

### Model 222780

Fits all Check-Mate® Pumps (except Check-Mate 200)  
and Dura-Flo™ 1800 and 2400 pumps.

### Model 223952

Larger porting for pumping grease. Fits Bulldog®  
and King™ Powerflo® and Check-Mate® priming piston pumps.

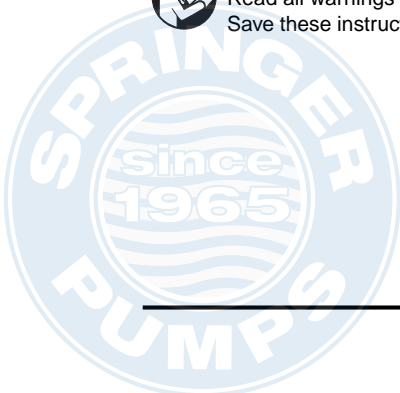


Model 222780  
Floor Stand Shown  
With Bulldog Check-Mate  
450 Pump  
(Pump not included)



#### Important Safety Instructions

Read all warnings and instructions in this manual.  
Save these instructions.



# Installation

## Model 222699



The floor stand must be securely bolted to the floor to reduce the risk of the pump tipping, which can cause serious injury and property damage. Do not use the stand as a free-standing support for the pump, fastened by intake piping only.

The placement of the pump adapter (1) requires a level floor mounting surface. If necessary, shims may be used.

1. Place the pump adapter (1) in the desired location and orient the 3" npt fluid inlet in the desired direction. See parts drawing below.
2. Using the pump adapter base plate as a template, mark and drill appropriate sized mounting holes.
3. Securely fasten the pump adapter to the floor using appropriate sized bolts. Use anchors if necessary.
4. Slip ring (3a) over pump intake valve cylinder (A).
5. Apply a sealant (Loctite® Threadlocker 277 or equivalent) to the threads of the intake valve cylinder (A). (Loctite is a registered trademark of Loctite Corporation).
6. Thread mounting plate (3b) onto intake valve cylinder. Use a spanner wrench, strap wrench or similar tool in holes of the mounting plate, until it is seated tightly against the shoulder surface.
7. Place gasket (3c) on pump adapter (1) and align the gasket cutouts with mounting holes.
8. Turn pump fluid outlet port in the desired direction. Carefully lower and guide pump onto pump adapter (1).
9. Install and tighten the four hex-head screws (3d) to secure pump to the pump adapter.
10. Install ball valve (6) into the fitting on the side of pump adapter (1).

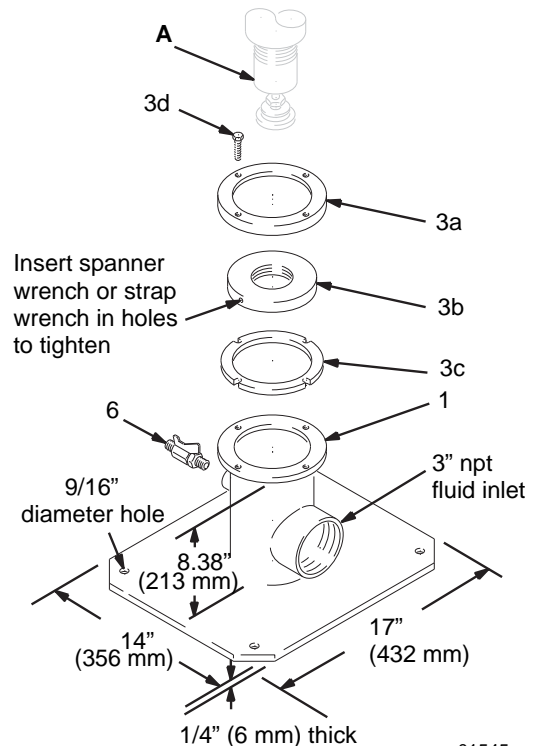
## Parts List & Drawing

### Model 222699

For Powerflo Pumps


Includes items 1-6

Ref No	Part No	Description	Qty
1	222274	ADAPTER, pump	1
2	223090	KIT, adapter, pump (includes items 3 and 6)	1
3	223546	KIT, adapter, pump (includes 3a-3d)	1
3a	185443	RING	1
3b	185445	PLATE, mounting	1
3c	110301	GASKET; buna-N	1
3d	102637	SCREW, cap, hex hd; 3/8-16 x 1.5" (38 mm) long	4
6	208390	BALL VALVE, 1/4 npt (mbe)	1



# Installation

## Model 222780

						
<p>The floor stand must be securely bolted to the floor to reduce the risk of the pump tipping, which can cause serious injury and property damage. Do not use the stand as a free-standing support for the pump, fastened by intake piping only.</p>						

The placement of the pump adapter (1) requires a level floor mounting surface. If necessary, shims may be used.

1. Place the pump adapter (1) in the desired location and orient the 3" npt fluid inlet in the desired direction. See parts drawing below.

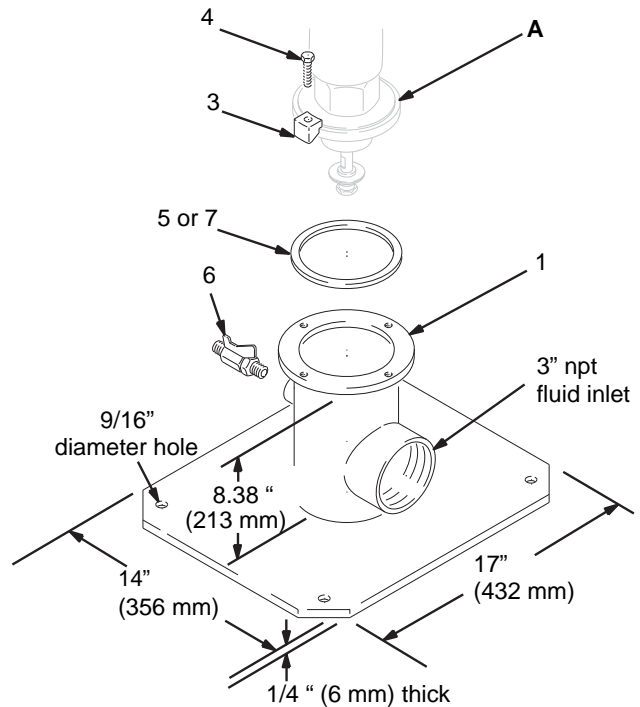
2. Using the pump adapter base plate as a template, mark and drill appropriate sized mounting holes.
3. Securely fasten the pump adapter to the floor using appropriate sized bolts. Use anchors if necessary.
4. Place the gasket (5, for Check-Mate pumps or 7 for Dura-Flo 1800 and 2400 pumps) on the pump adapter (1)
5. Turn pump fluid outlet port in the desired direction. Carefully lower and guide pump onto the adapter (1).
6. Install the four lugs (3) on the flange of the intake cylinder (A). Screw the four hex-head screws (4) through the lugs and into the pump adapter (1) to secure the pump.
7. Install the ball valve (6) into the fitting on the slide of the pump adapter (1).

## Parts List & Drawing

### Model 222780

For Check-Mate™ pumps (except Check-Mate 200) and Dura-Flo™ 1800 and 2400 pumps  
Includes items 1-7

Ref No	Part No	Description	Qty
1	222274	ADAPTER, pump	1
2	222776	KIT, mounting (includes items 3-5 and 7)	1
3	276025	LUG	4
4	102637	SCREW, cap, hex hd; 3/8-16 x 1.5" (38 mm) long	4
5	184086	GASKET; PTFE (for use with Check-Mate pumps)	1
6	208390	BALL VALVE; 1/4 npt (mbe)	1
7	109495	O-RING, fluorocarbon (for use with Dura-Flo 1800 and 2400 pumps)	1



01544

# Installation

## Model 223952

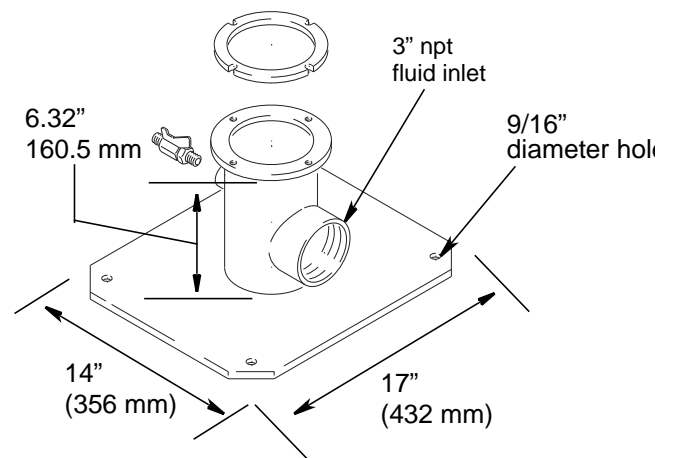


The floor stand must be securely bolted to the floor to reduce the risk of the pump tipping, which can cause serious injury and property damage. Do not use the stand as a free-standing support for the pump, fastened by intake piping only.

The placement of the pump adapter requires a level floor mounting surface. If necessary, shims may be used.

1. Place the pump adapter in the desired location and orient the 3" npt fluid inlet in the desired direction.
2. Using the pump adapter base plate as a template, mark and drill appropriate sized mounting holes.
3. Securely fasten the pump adapter to the floor using appropriate sized bolts. Use anchors if necessary.
4. Place the gasket on the pump adapter.
5. Turn pump fluid outlet port in the desired direction. Carefully lower and guide pump onto the adapter.
6. Install the four screws through the flange of the intake cylinder, through the gasket and into the adapter

7. Purchase additional parts as indicated below to complete the installation.
  - For 3:1 Bulldog Grease Transfer Pump: purchase seal kit 224148 and ball valve 208390 separately.
  - For 55:1 King (Power-Flo) Grease Transfer Pump: purchase adapter kit 223090 separately. See page 2 for parts.
  - For 12:1, 31:1, 55:1 Bulldog and 24:1, 65:1 King and 2.4:1 Viscount II Grease Transfer Pumps (all are Check-Mate pumps): purchase mounting kit 222776 and ball valve 208390 separately. See page 3 for parts.
  - For NXT Pumps with Check-Mate lowers: purchase mounting kit 222776 and ball valve 208390 separately. See page 3 for parts.





# Graco Standard Warranty

Graco warrants all equipment referenced in this document which is manufactured by Graco and bearing its name to be free from defects in material and workmanship on the date of sale to the original purchaser for use. With the exception of any special, extended, or limited warranty published by Graco, Graco will, for a period of twelve months from the date of sale, repair or replace any part of the equipment determined by Graco to be defective. This warranty applies only when the equipment is installed, operated and maintained in accordance with Graco's written recommendations.

This warranty does not cover, and Graco shall not be liable for general wear and tear, or any malfunction, damage or wear caused by faulty installation, misapplication, abrasion, corrosion, inadequate or improper maintenance, negligence, accident, tampering, or substitution of non-Graco component parts. Nor shall Graco be liable for malfunction, damage or wear caused by the incompatibility of Graco equipment with structures, accessories, equipment or materials not supplied by Graco, or the improper design, manufacture, installation, operation or maintenance of structures, accessories, equipment or materials not supplied by Graco.

This warranty is conditioned upon the prepaid return of the equipment claimed to be defective to an authorized Graco distributor for verification of the claimed defect. If the claimed defect is verified, Graco will repair or replace free of charge any defective parts. The equipment will be returned to the original purchaser transportation prepaid. If inspection of the equipment does not disclose any defect in material or workmanship, repairs will be made at a reasonable charge, which charges may include the costs of parts, labor, and transportation.

**THIS WARRANTY IS EXCLUSIVE, AND IS IN LIEU OF ANY OTHER WARRANTIES, EXPRESS OR IMPLIED, INCLUDING BUT NOT LIMITED TO WARRANTY OF MERCHANTABILITY OR WARRANTY OF FITNESS FOR A PARTICULAR PURPOSE.**

Graco's sole obligation and buyer's sole remedy for any breach of warranty shall be as set forth above. The buyer agrees that no other remedy (including, but not limited to, incidental or consequential damages for lost profits, lost sales, injury to person or property, or any other incidental or consequential loss) shall be available. Any action for breach of warranty must be brought within two (2) years of the date of sale.

**GRACO MAKES NO WARRANTY, AND DISCLAIMS ALL IMPLIED WARRANTIES OF MERCHANTABILITY AND FITNESS FOR A PARTICULAR PURPOSE, IN CONNECTION WITH ACCESSORIES, EQUIPMENT, MATERIALS OR COMPONENTS SOLD BUT NOT MANUFACTURED BY GRACO.** These items sold, but not manufactured by Graco (such as electric motors, switches, hose, etc.), are subject to the warranty, if any, of their manufacturer. Graco will provide purchaser with reasonable assistance in making any claim for breach of these warranties.

In no event will Graco be liable for indirect, incidental, special or consequential damages resulting from Graco supplying equipment hereunder, or the furnishing, performance, or use of any products or other goods sold hereto, whether due to a breach of contract, breach of warranty, the negligence of Graco, or otherwise.

## **FOR GRACO CANADA CUSTOMERS**

The Parties acknowledge that they have required that the present document, as well as all documents, notices and legal proceedings entered into, given or instituted pursuant hereto or relating directly or indirectly hereto, be drawn up in English. Les parties reconnaissent avoir convenu que la rédaction du présente document sera en Anglais, ainsi que tous documents, avis et procédures judiciaires exécutés, donnés ou intentés, à la suite de ou en rapport, directement ou indirectement, avec les procédures concernées.

## Graco Information

**TO PLACE AN ORDER**, contact your Graco distributor or call to identify the nearest distributor.

**Phone:** 612-623-6928 **or Toll Free:** 1-800-533-9655, **Fax:** 612-378-3590



*All written and visual data contained in this document reflects the latest product information available at the time of publication. Graco reserves the right to make changes at any time without notice.*

*This manual contains English. MM 307971*

*For Patent Information see: [www.graco.com/patents](http://www.graco.com/patents)*

**Graco Headquarters:** Minneapolis

**International Offices:** Belgium, China, Japan, Korea

**GRACO INC. P.O. BOX 1441 MINNEAPOLIS, MN 55440-1441**

Copyright 1989, Graco Inc. is registered to I.S. EN ISO 9001

[www.graco.com](http://www.graco.com)

Revised October 2015