

# Technical data sheet

## MINIFLUX




More than just pumps

### MINIFLUX



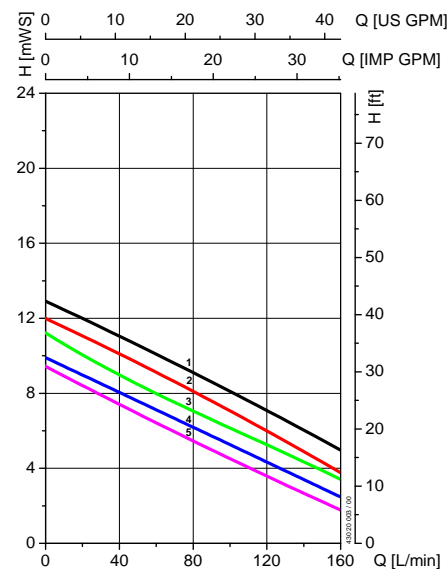
#### Advantages/characteristics:

- ▶ To transfer out of IBCs
- ▶ Emptying IBCs with residual quantity of less than 1 % (depending on the inclination angle)
- ▶ For example for use wherever is no space to use a vertical drum pump
- ▶ To transfer thin and flammable liquids
- ▶ Combined with commutator motor, brushless motor and air motor
- ▶ Suitable for Ex-applications in zone 1 

Performance data	
Delivery rate max.	240 l/min *
Viscosity max.	1 000 mPas *
Delivery head max.	13 mWs*
Connection	
At container	Union nut S 60 x 6
Discharge connection	G 1 1/4 A
Materials	
Outer tube	Stainless steel 316 Ti
Mechanical seal	PTFE/carbon and ceramic oxide
Seals	FKM/NBR/PE foam
Impeller	ETFE
General datas	
Total length	136 mm
Weight	1,0 kg
Ex-marking	II 2G c IIB TX
Media-/ambient temperature max.	100 °C (Ex-application max. 40 °C)
Part number	
MINIFLUX	10-430 20 003

\* depending on motor and fluid, measured at free outlet

#### Performance chart



measured at free outlet, water 20 °C, values ± 10 %

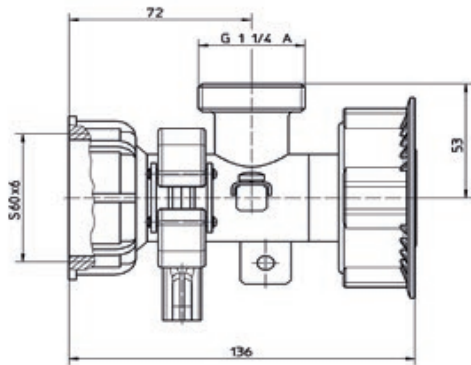
#### Motor:

1. F 416 Ex
2. F 457/F 458-1/F 460-1 Ex
3. FBM 4000 Ex
4. FEM 4070
5. F 458/F 460 Ex

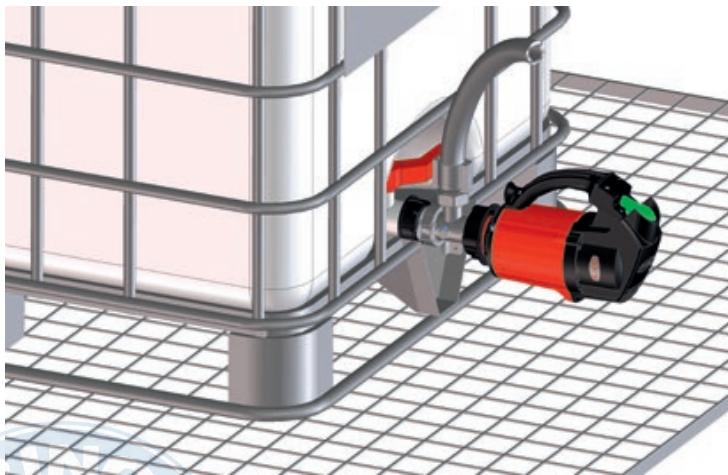
# Technical data sheet

## MINIFLUX

### Dimensions [mm]



### Installation example (non hazardous area)



#### Note:

When using the MINIFLUX in hazardous area, ex-protected motor and ground wire are urgently needed.